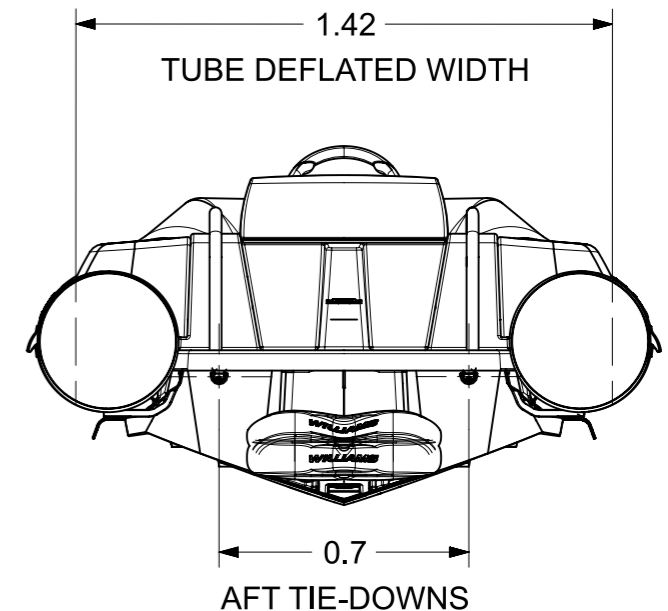
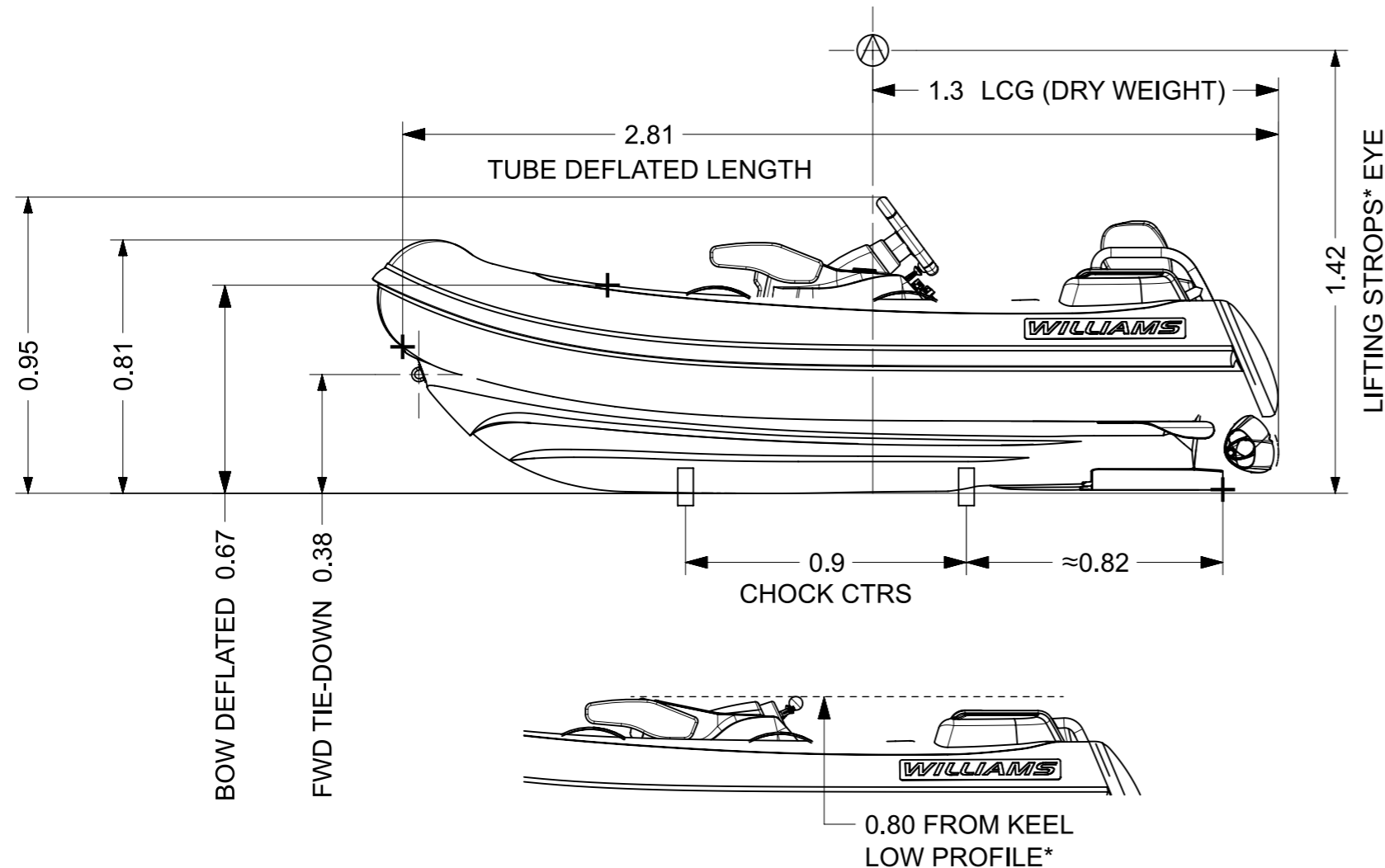
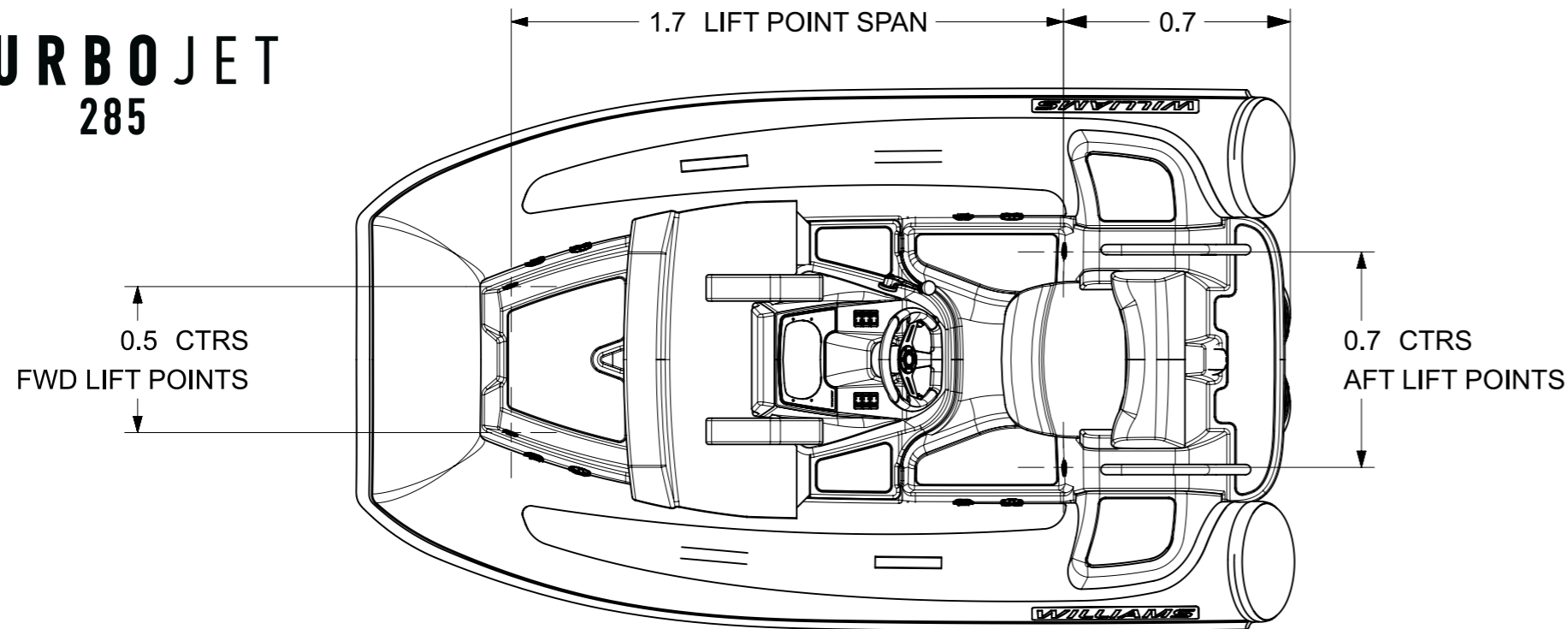


TURBOJET 285



LENGTH O.A.	2.90m (±1%)
BEAM O.A.	1.70m (±1.5%)
DRAFT (FULLY LOADED)	0.23m / 0.35m
ENGINE	Rotax ACE 90 ECT
POWER	90hp ≅ 66.19kW
DRY WEIGHT	315Kg
SEATING CAPACITY	3 + 1 child
FUEL	PETROL
FUEL CAPACITY	40L
MAX. SPEED	46mph ≅ 74kph
No. TUBE COMPARTMENTS	4
CE DESIGN CATEGORY	C

1. LENGTH/ BEAM TOLERANCE DUE TO VARIATION IN TUBE AIR PRESSURE.
2. AVERAGE DRY WEIGHT STATED; ACTUAL WEIGHT DEPENDANT ON OPTIONS FITTED.
3. LOW PROFILE SPEC:
 - REMOVE STEERING WHEEL (QUICK RELEASE TYPE REQUIRED*)
 - DEFLATE TUBES.
 - REMOVE BACKREST.
4. STANDARD CHOCKS*: 99-0153
CHOCK PROFILES DRAWING: RD1013

REV.	DATE	DETAILS	FZ DRAWN	OB APPV'D
1	12/10/2023	PRODUCTION RELEASE	FZ	OB

GENERAL TOL.
0 ±0.50
0.0 ±0.25
0.00 ±0.10
0' ±0.50'

NOT FOR PUBLICATION - THIS DRAWING IS THE PROPERTY OF WILLIAMS JET TENDERS LTD. AND IS ISSUED ON CONDITION THAT IT IS NOT COPIED, RE-PRINTED OR DISCLOSED EITHER WHOLLY OR IN PART TO ANY THIRD PARTY NOT AUTHORISED TO RECEIVE IT

NAME	DATE	WILLIAMS
DRAWN FZ	12/10/2023	
APPV'D OBB		
PROJECT: -		
INSPECTION LEVEL:		TITLE
MATERIAL & FINISH		TURBOJET 285 (2025MY)
		PART NO.
		WPT-000285TJ2025MY-DATASHEET-dwg.1
		SCALE 1:20
		SHEET 1 OF 1

*OPTIONAL ACCESSORY