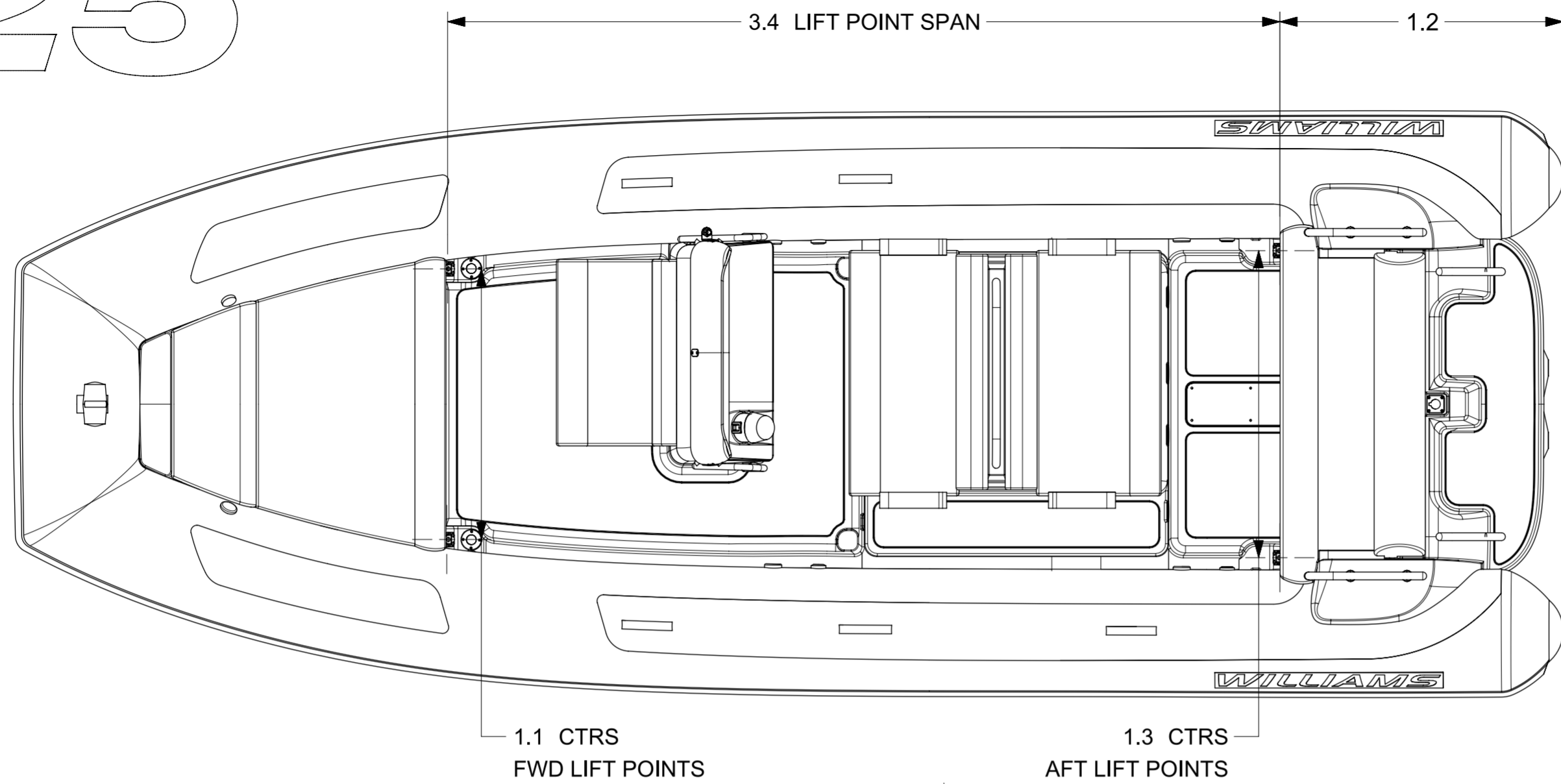


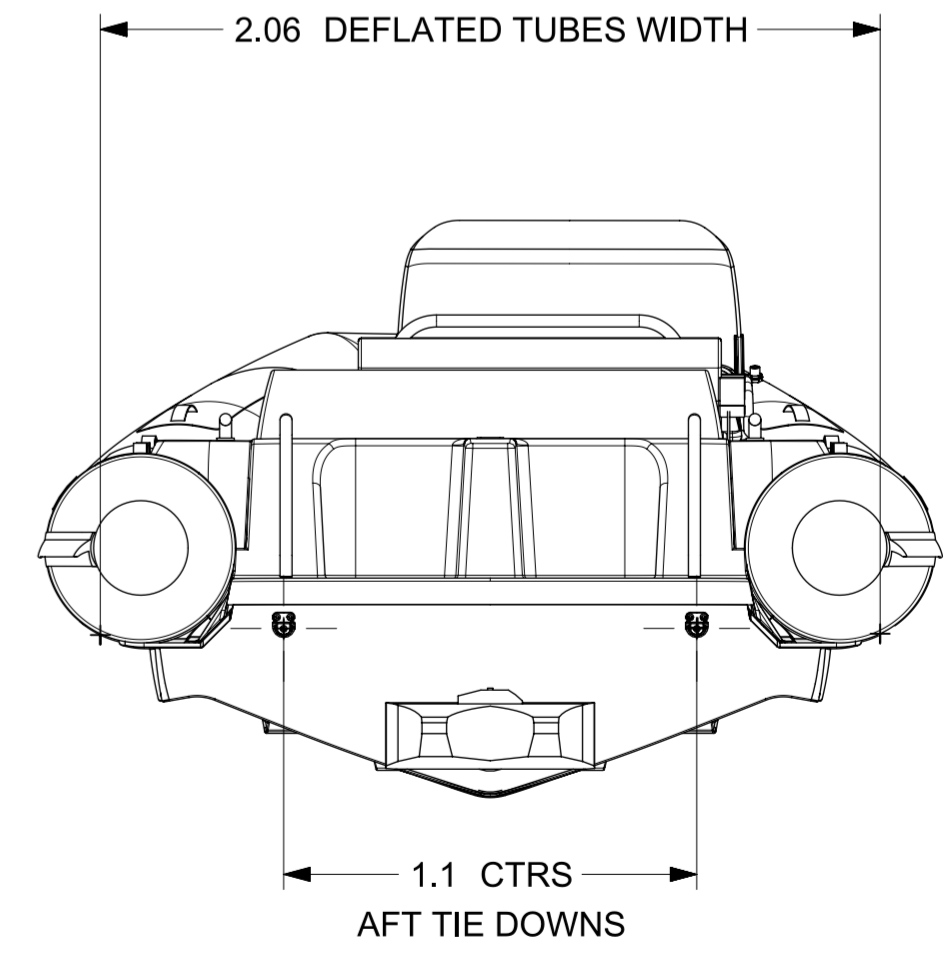
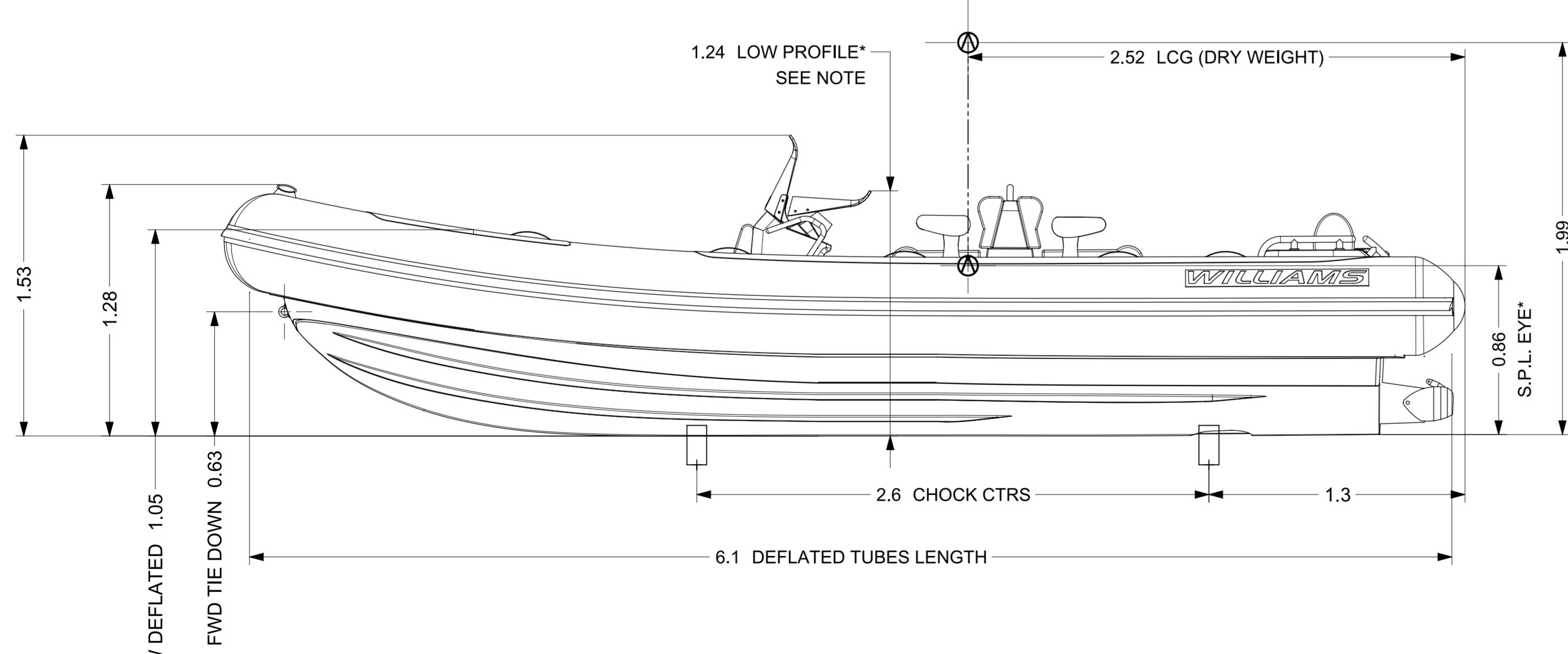
DIESELJET 625



LENGTH	6.32m (±1%)
BEAM	2.39m (±1%)
DRAFT (FULLY LOADED)	0.50m
ENGINE	YANMAR 4LV
POWER	195hp ≅ 145kW
	230hp ≅ 172kW
DRY WEIGHT	1310Kg
SEATING CAPACITY	11
FUEL	DIESEL
FUEL CAPACITY	140L
MAX. SPEED	44mph ≅ 71kph
	46mph ≅ 74kph
No. TUBE COMPARTMENTS	6
CE DESIGN CATEGORY	C

NOTES:

1. LENGTH / BEAM TOLERANCE DUE TO VARIATION IN TUBE AIR PRESSURE.
2. AVERAGE 230HP MODEL DRY WEIGHT STATED; ACTUAL WEIGHT DEPENDENT ON OPTIONS FITTED.
3. LOW PROFILE OPTION:
 - REMOVABLE BACKREST
 - QUICK RELEASE STEERING WHEEL
 - FOLDABLE WINDSCREEN
 - FWD TUBE DEFLATED
4. REFER TO DWG RD444 FOR CHOCK PROFILES.



*OPTIONAL ACCESSORY

REV.	DATE	DETAILS	DRAWN	APPVD
2	25/09/18	TOP SPEED UPDATE	GT	DBS
1	29/08/18	PRODUCTION RELEASE	GT	DBS

GENERAL TOL.	0 ±0.50
	0.0 ±0.25
	0.00 ±0.10
	0' ±0.50"

DRAWN	GT	DATE	29/08/18
APPVD	DBS	DATE	29/08/18
PROJECT:	-		
INSPECTION LEVEL:	N/A		
MATERIAL & FINISH	-		
REMOVE ALL BURRS & BREAK SHARP EDGES	GENERAL SURFACE FINISH Ra 1.6UM DIMENSIONS IN MM UNLESS STATED DO NOT SCALE DRAWING		

WILLIAMS

DIESELJET 625 (2019MY)

PART NO. WPT-000625DJ-2019MY-DATASHEET-dwg.1 A2

SCALE 1:20 SHEET 1 OF 1

NOT FOR PUBLICATION - THIS DRAWING IS THE PROPERTY OF WILLIAMS PERFORMANCE TENDERS LTD. AND IS ISSUED ON CONDITION THAT IT IS NOT COPIED, RE-PRINTED OR DISCLOSED EITHER WHOLLY OR IN PART TO ANY THIRD PARTY NOT AUTHORISED TO RECEIVE IT