

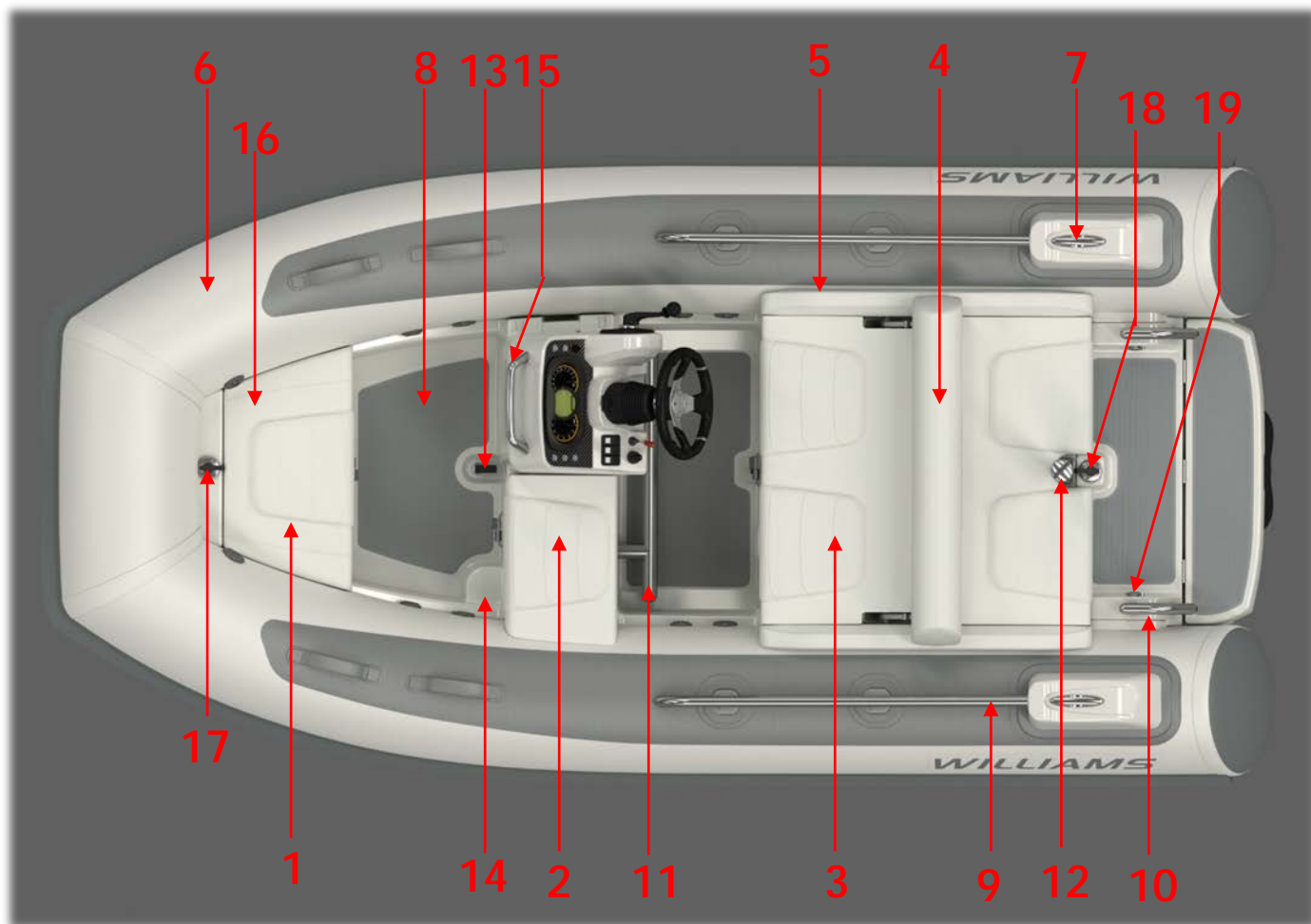
WILLIAMS
JET TENDERS

SPORTJET 345 & 395

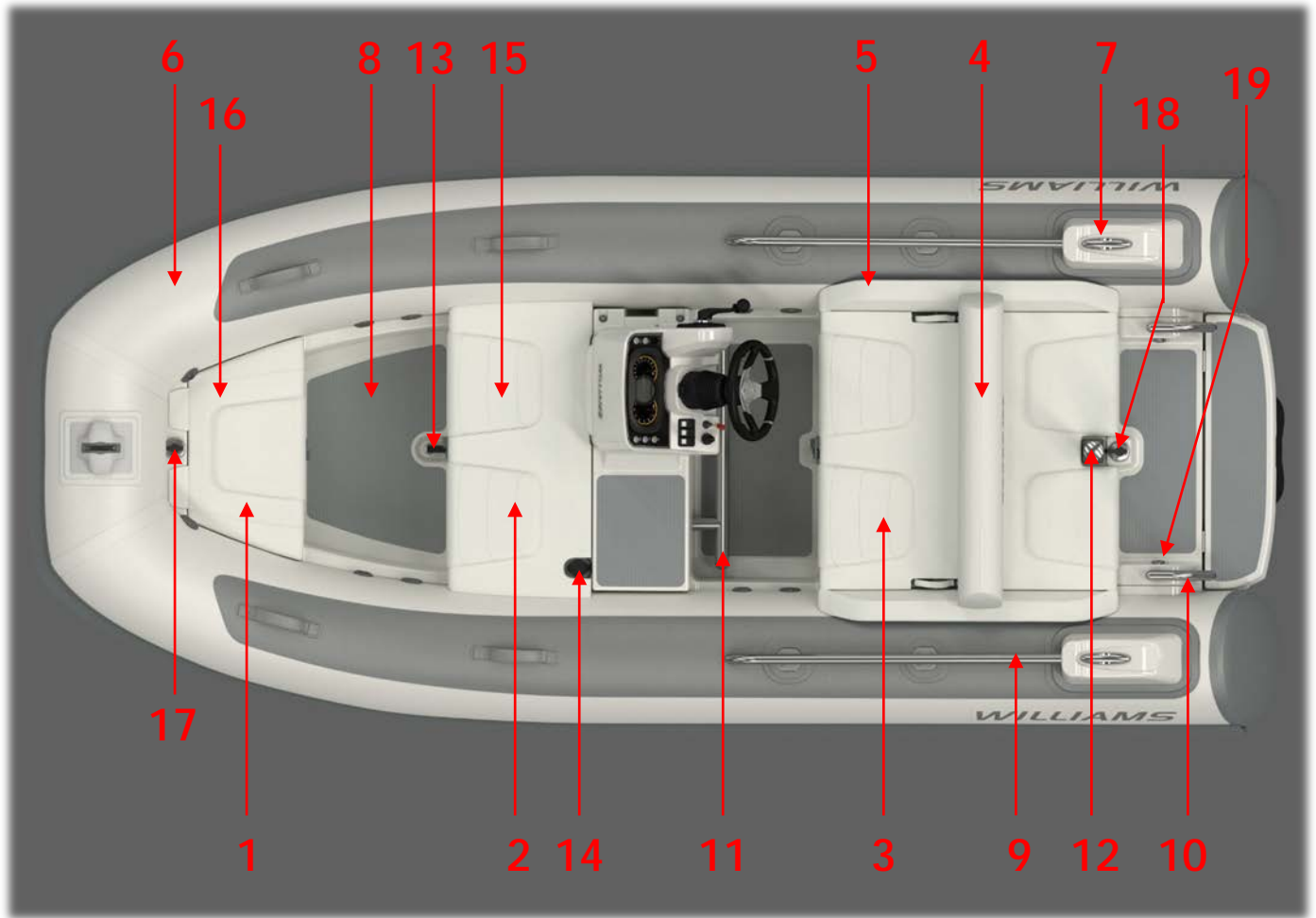
2018 MY Parts Catalogue



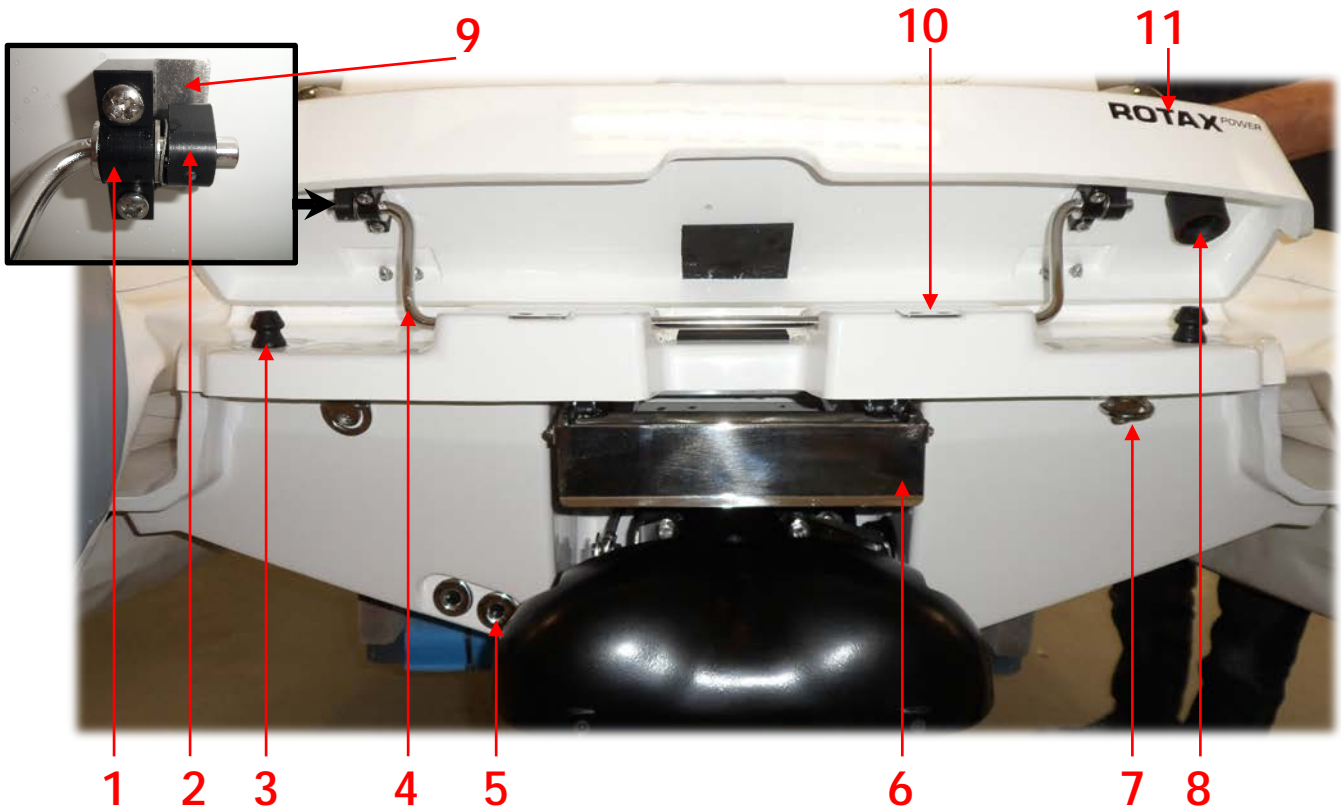
Issue Rev01	
Page 02	Sportjet 345 - Exterior
Page 03	Sportjet 395 - Exterior
Page 04	Sportjet 345/395 - Mechanical Footrest
Page 05	Sportjet 345/395 - Fittings
Page 06-08	345/395 – Console
Page 09	345/395 - Engine Bay Components
Page 10	Sportjet 345/395 – PPS Bracket Assembly
Page 11-12	345/395 – Pump and Controls
Page 13-14	345/395 – Rotax 1503 Engine Service Parts
Page 15-	345/395 – Accessories & Optional Extras



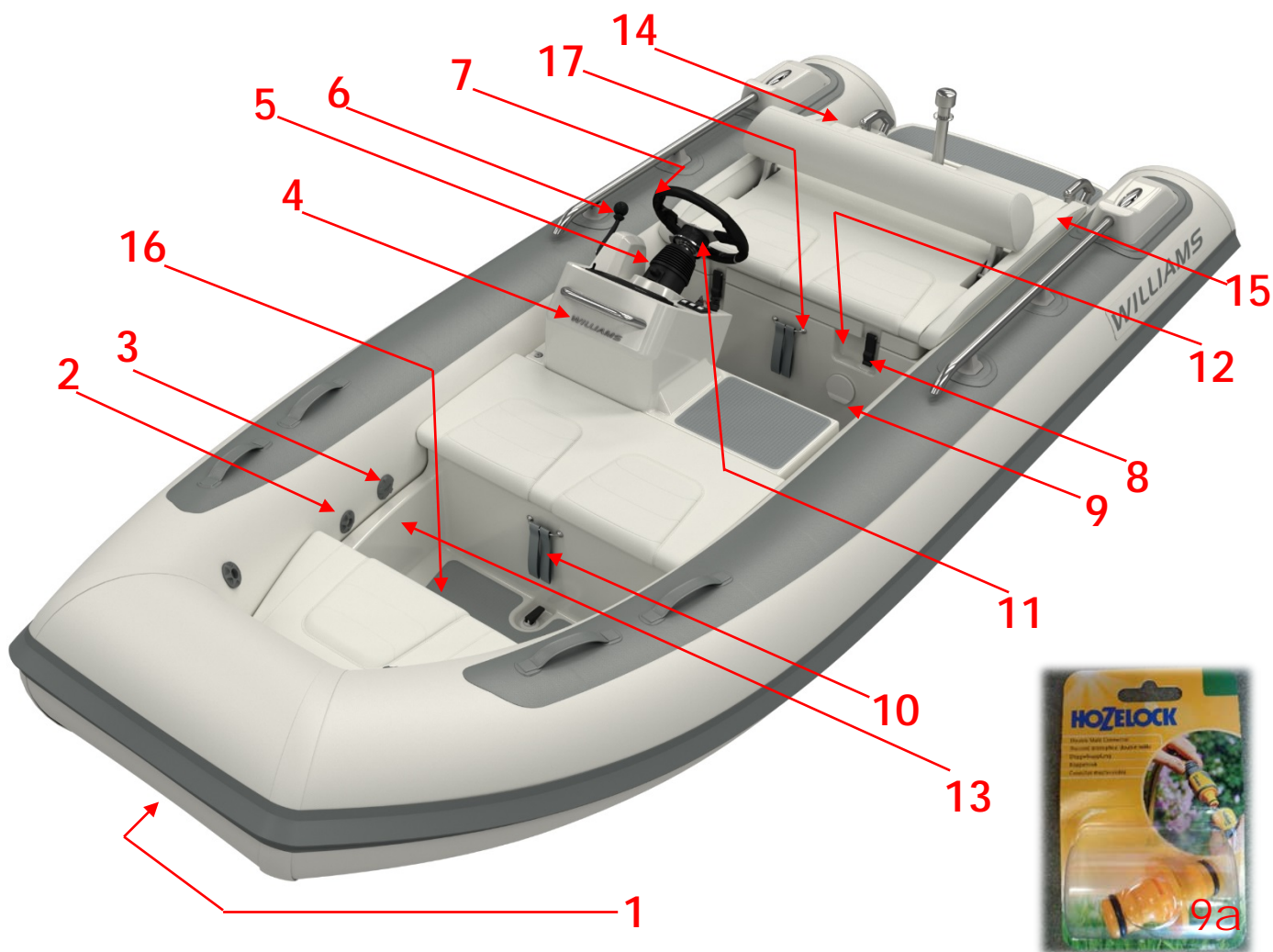
Position	Part Reference	Description
1	02-1200	345SJ Bow Cushion
2	02-1201	345SJ Helm Side Cushion
3	02-1202	345/395SJ Main Cushion
4	02-1203	345/395SJ Backrest Cushion
5	02-1204	345/395SJ Main Cushion Side Bolsters
1*	01-3015	Standard Vinyl Upholstery, SJ345
6	01-0340-02	345 Off White/Neptune Grey with Bow Inflation 2017 Tube Rev 4
-	01-0340-01	345 Ocean Blue Fabric Impression with Bow Inflation 2017 Tube Rev 4
-	01-0340-02	345 Off White/Neptune Grey with Bow Inflation 2017 Tube Rev 4
-	01-0340-05	345 Military/Artic Grey with Bow Inflation 2017 Tube Rev 4
-	01-0340-10	345 Classic Off White/Deer with Bow Inflation 2017 Tube Rev 4
-	01-0340-15	345 Carbon White/Carbon Black with Bow Inflation 2017 Tube Rev 4
-	01-0340-20	345 Carbon Black/Carbon White with Bow Inflation 2017 Tube Rev 4
-	01-0340-30	345 Ivory/Off White/Sandy Brown with Bow Inflation Tube Rev 4
7	07-0015	Neatcleat 6 ref 66517-1"
8	01-3011	SeaDek SJ345 Rev 3
8	01-3120	345SJ Flexi Teak Decking rev 4
9	01-3018	P65 Tube Grab Handle rev 1
10	01-3023	Aft Turret Handle
10*	05-0411	Bumper, Screw On, Ref: SOF-15140
11	01-3050	Helm Foot Rest, P65 Rev 3
12	01-3012	Ski Pole SJ345 complete with Socket Rev 3
12*	07-0470	Ski Tow Cap (Black EPDM) rev 1
13	01-0034	Footwell Drain Bungs ref 45322
14	01-1671-2017	Boarding Pole Base Dieseljet 2017 Rev 2 (Complete Fit Kit-00-6305)
14	01-1670-2017	Boarding Pole (Pole only, complete with cord) Rev 2
15	01-3022	340SJ Helm Handle
16	01-0680	Anchor Locker Bag rev 4
17	06-0105	Pole light Bi-col 411mm inc locking base
18	06-0360	White LED Pole Light Q144120KIT (inc Base & Clips)
19	05-0196	Pad Eye (Large)



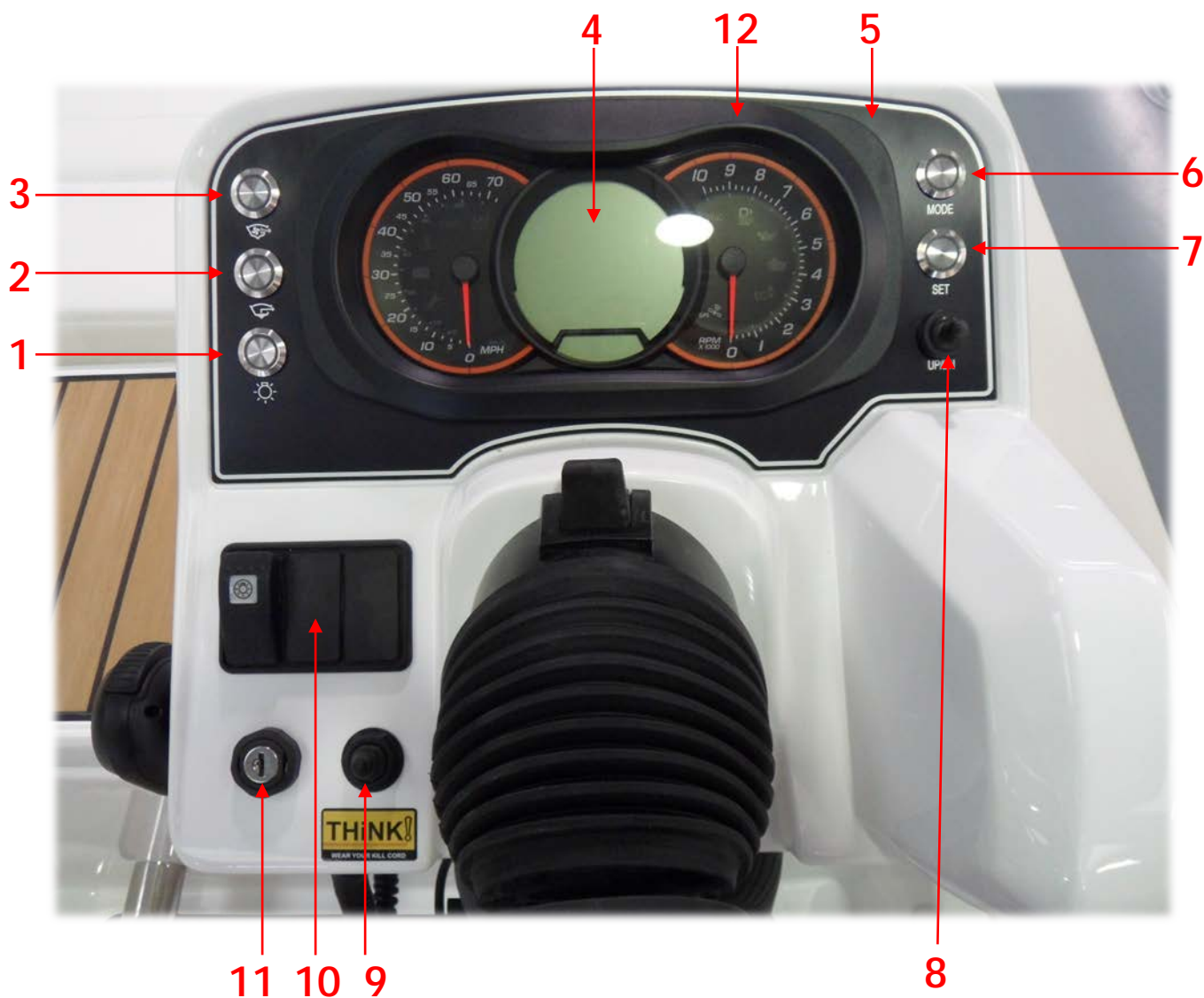
Position	Part Reference	Description
1	02-1205	395SJ Bow Cushion
2	02-1206	395SJ Helm Cushion
3	02-1202	345/395SJ Main Cushion
4	02-1203	345/395SJ Backrest Cushion
5	02-1204	345/395SJ Main Cushion Side Bolsters
*	01-3115	Standard Vinyl Upholstery, SJ395
6	01-0395-02	395 Off White/Neptune Grey with Bow Inflation 2017 Tube Rev 5
-	01-0395-01	395 Ocean Blue Fabric Impression with Bow Inflation 2017 Tube Rev 5
-	01-0395-05	395 Military/Artic Grey with Bow Inflation 2017 Tube Rev 5
-	01-0395-10	395 Off White/Deer with Bow Inflation 2017 Tube Rev 5
-	01-0395-15	395 Carbon White/Carbon Black with Bow Inflation 2017 Tube Rev 5
-	01-0395-20	395 Carbon Black/Carbon White Tube with Bow Inflation 2017 Rev 5
-	01-0395-30	395 Ivory/Off White/Sandy Brown Tube with Bow Inflation rev 5
7	07-0015	Neatcleat 6 ref 66517-1"
8	01-3105	SeaDek SJ395 rev 4
8	01-3120	345SJ Flexi Teak Decking rev 4
9	01-3018	P65 Tube Grab Handle rev 1
10	01-3023	Aft Turret Handle
10*	05-0411	Bumper, Screw On, Ref: SOF-15140
11	01-3050	Helm Foot Rest, P65 Rev 3
12	01-3012	Ski Pole SJ345 complete with Socket Rev 3
12*	07-0470	Ski Tow Cap (Black EPDM) rev 1
13	01-0034	Footwell Drain Bungs ref 45322
14	01-1671-2017	Boarding Pole Base Rev 2 (Complete Fit Kit-00-6305)
14	01-1670-2017	Boarding Pole (Pole only, complete with cord) Rev 2
15	01-0681	Stowage Bag rev 4
16	01-0680	Anchor Locker Bag rev 4
17	06-0105	Pole light Bi-col 411mm inc locking base
18	06-0360	White LED Pole Light Q144120KIT (inc Base & Clips)
19	05-0196	Pad Eye (Large)



Position	Part Reference	Description
1	01-3029 x 2	Mounting Block, Footrest Mechanical SJ340 Rev 1
2	01-3027 x 2	Cam Block, Footrest Mechanical
3	05-0408 x 2	Door Latch ref 1-666-2-MB (Includes No.8)
4	01-3031	Frame Assy, Footrest Mechanical SJ340 Rev 3
5	04-0023 x 2	Skin fitting, SS 1/2 bsp - 19mm hose 17.523.11"
6	99-0937	Bathing Ladder, P65
7	05-0195 x 2	Pad Eye (small) ref 2054744
8	See No.3	-
9	01-3028 x 2	Bracket, Footrest Mechanical SJ340 Rev 1
10	01-3026 x 2	Plate, Footrest Mechanical P65 Rev 2
11	08-0305	Rotax Power Label



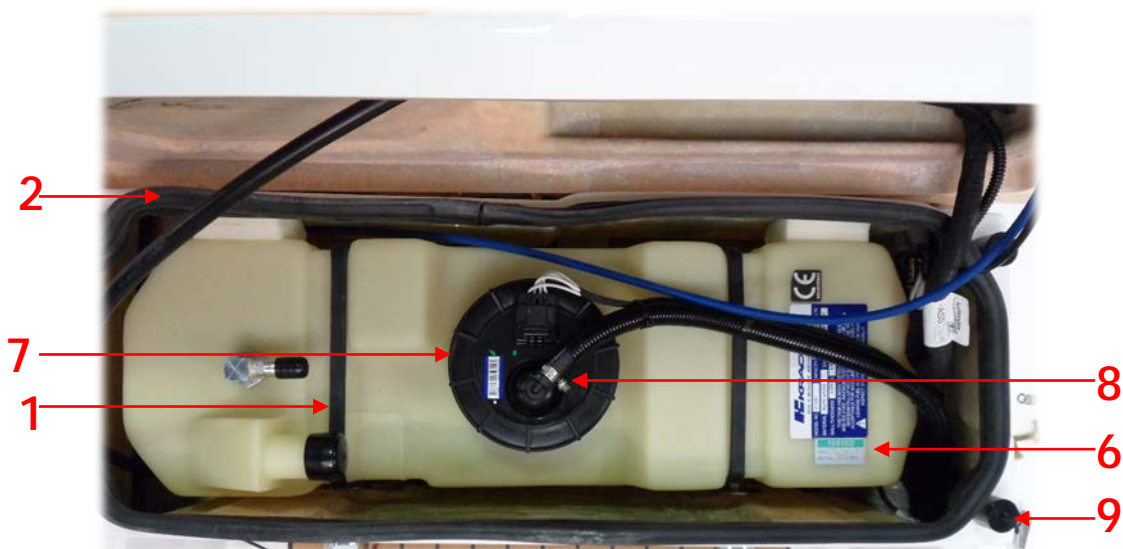
Position	Part Reference	Description
1	05-0165	Bow Eye ref 5026287 (39.127.01)
2	02-0258	Over Inflation Valve (Leaffield)
3	02-0257	Williams Tube Inflation Valve (Leaffield)
4	08-0015	Williams Helm Label superdome 170mm x 16mm
5	07-0525	Tilt Steering Control SJ340 35 deg SH91808P
6	07-0512	TFX Throttle/Shift Control CH2305-P ref Q017816 Rev D
7	01-2027	Gussi Steering Wheel 33cm Black 30643341
8	07-0036	Console rubber catch ref C7-10-B
9	04-0085	Flushing unit female ref 47817
9*	04-0095	Hose Connector 1/2 - 3/4" female ref NTBF3412"
9a	04-0090	Hozelock adaptor male - male ref 2291
10	01-0072	Wrist Strap Grey/Black (Polyester webbing)
11	01-1701	Quick Release Hub (B&G) 2016 (Option)
12	02-0230	Battery Isolator Key (Blue Sea)
13	06-0336 x 4	Deck Light White (Option) Complete Fit Kit 00-6201
14	01-0226	Flag Pole Base
14*	01-0225	Flag Pole S/S
15	99-0041	VHF Antenna Pacific ref P6115 Mount & P6106 0.45 Antenna (Option)
15*	02-0715	VHF P6106 (0.45m) Antenna Only
16	07-0014	Front Cleat 6 fixed ref Q042415"
17	01-0930 x 2	Webbing Bridge



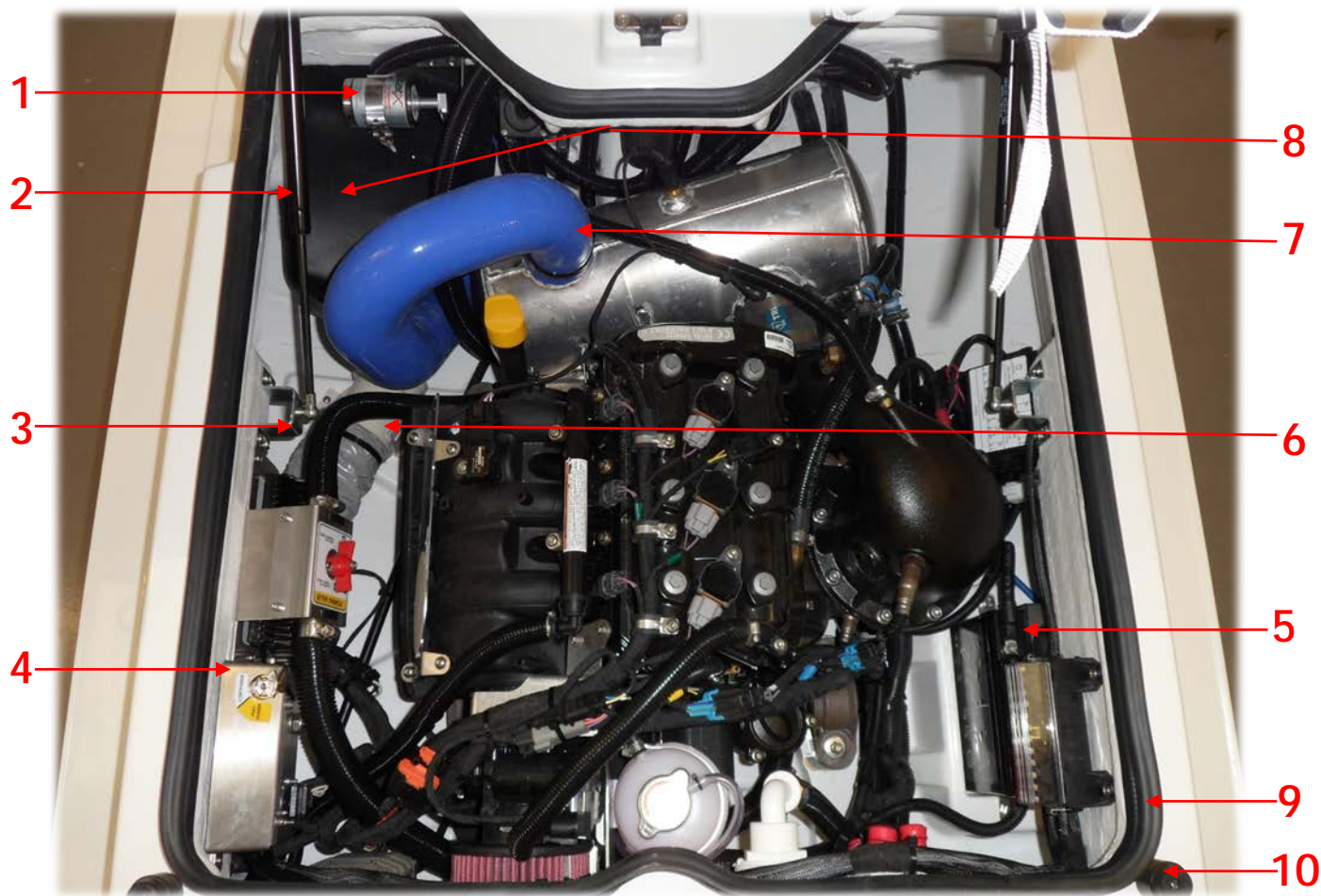
Position	Part Reference	Description
1	06-1007-2018	Navigation Switch BTNAVLEDSW/D
2	06-1011-2018	Bilge Pump Momentary Switch BT15LEDSW-MB/D
3	06-1005-2018	Bilge Blower ON/OFF Switch BT15LEDSW1-B/D
4	06-0502	Base Cluster with Learner Mode 0461994
5	08-0412	Aluminium Helm Inlay rev 2
6	06-1006-2018	ON/OFF Control Switch
7	06-1006-2018	ON/OFF Control Switch
8	01-3065	Toggle Switch Cover RS ref 233-3936
8*	06-1008	Toggle Switch Carling ST-Series STL2E1-58
9	06-0020	Tether Switch ref 7050-16 inc 9250 nut
9*	07-0035	Kill Cord ref 9207
10	06-0670	Deck Light Switch (Option)
10	06-0672	Auto Inflator Switch (Option)
10	06-0673	Underwater Light Switch (Option)
10	06-0674	Music Switch (Option)
10	30-0024	Blanking Plate Carling VHP-01-XLT1
11	06-0550	Key Switch 3 Way 95060-03
12	01-1515	Sportjet Gauge Bezel



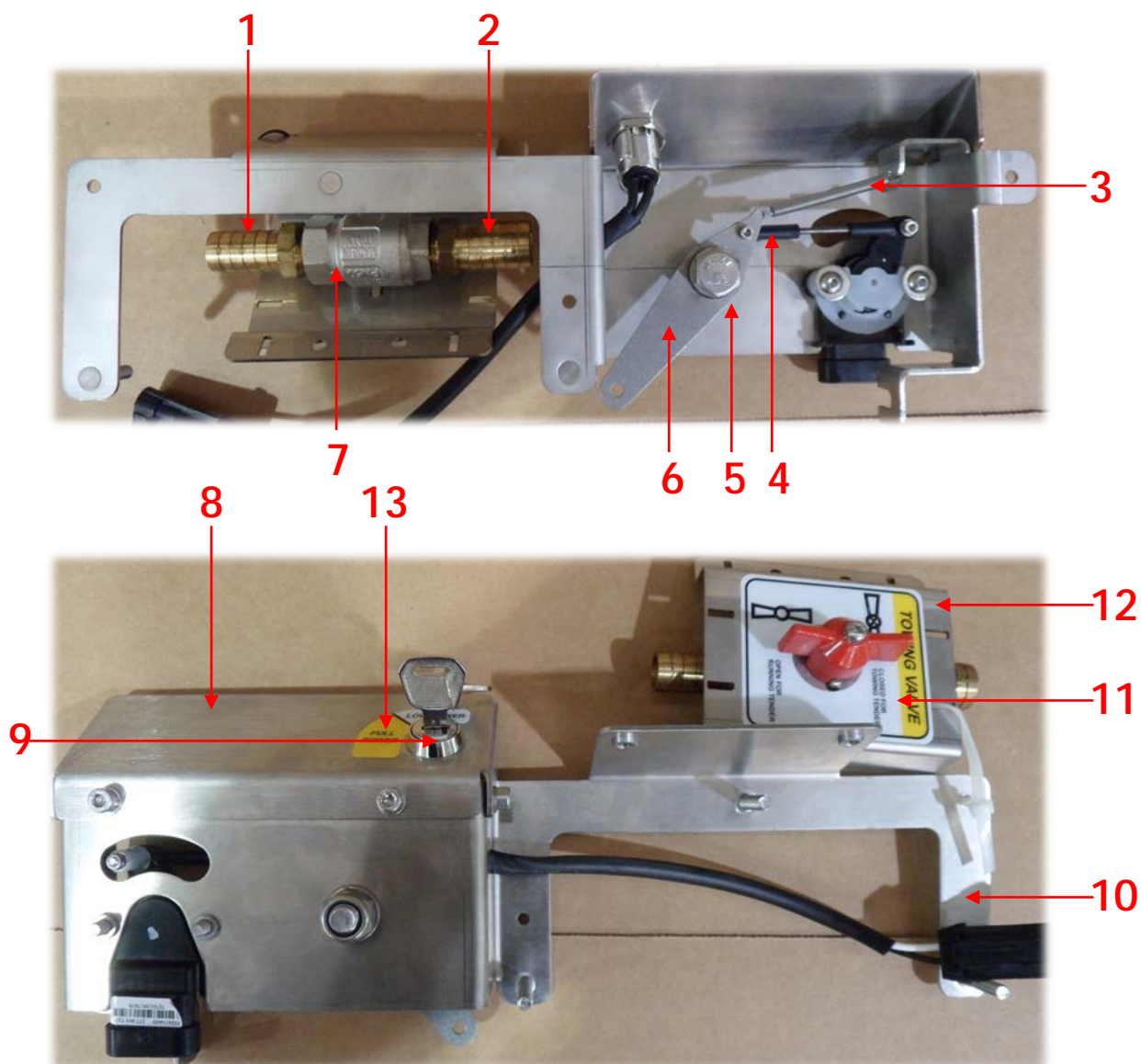
Position	Part Reference	Description
1	07-0512	TFX Throttle/Shift Control CH2305-P ref Q017816 Rev D
2	04-0206	Louvre Ventilator (Rectangular)
2	99-0924	Ray 52 VHF Radio E70345 (Option)
3	01-3054	VHF GRP Moulded Mount (Required when fitting VHF)
4	07-0547	Fuel Filler 45 degree GAS Perko
5	01-1701	Quick Release Hub (B&G) 2016 (Option)
6	06-0049	2 Pin Plug & Socket BD500
7	99-0953	Dragonfly 5Pro Chart Plotter (Option)
8	01-3135	MFD (Dragonfly) Mounting Bracket (Option)
8*	05-0420	Semi Blind Rubber Grommet (Option)
8*	99-0952	Through Hull Transducer CPT-S-DF A80447 (Option)
-	99-0955	Kongsberg Depth Sounder 278002954 (Option-Depth sounder only)
-	06-1010	Depth Sounder Jump Cable for use with 99-0955
-	99-0956	Base, Depth Sounder ref 278001994 for use with 99-0955



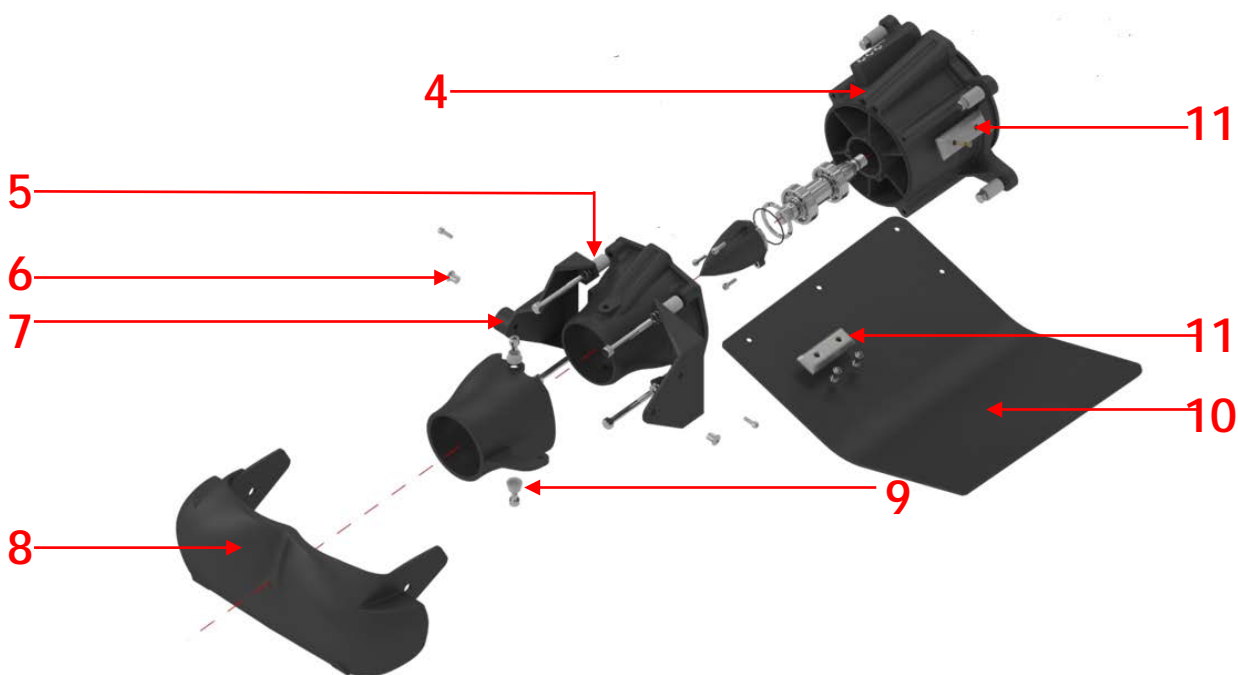
Position	Part Reference	Description
1	05-0012 x 2	Fuel tank Strap 20" T1" – 395 ONLY
1	05-0013 x 4	Exhaust Strap 9" T1
1*	05-0027	S Hook, SS, Large
1*	05-0028	S Hook, SS, Small
2	09-0008	Hatch seal ref DX79
3	03-0600	Mini-Rack Steering Cable (Sportjet)
4	03-0460	Throttle Cable Hilex
5	03-0602	Cable, Reverse Cable - Hi-Lex 3.4m
6	01-3017	Fuel Tank, P65 Rev 2
7	00-1011	Fuel Pump Nut/Fuel Line sub Assy 0460876-00
8	06-0700	Fuel Pump, (Long) BRP ref 460674
9	05-0409	Helm Bumper Stop (Ali) rev 2
9*	20-0356	M8 x 30 Flat Head Screw (Polished & Netted)
10		
11		



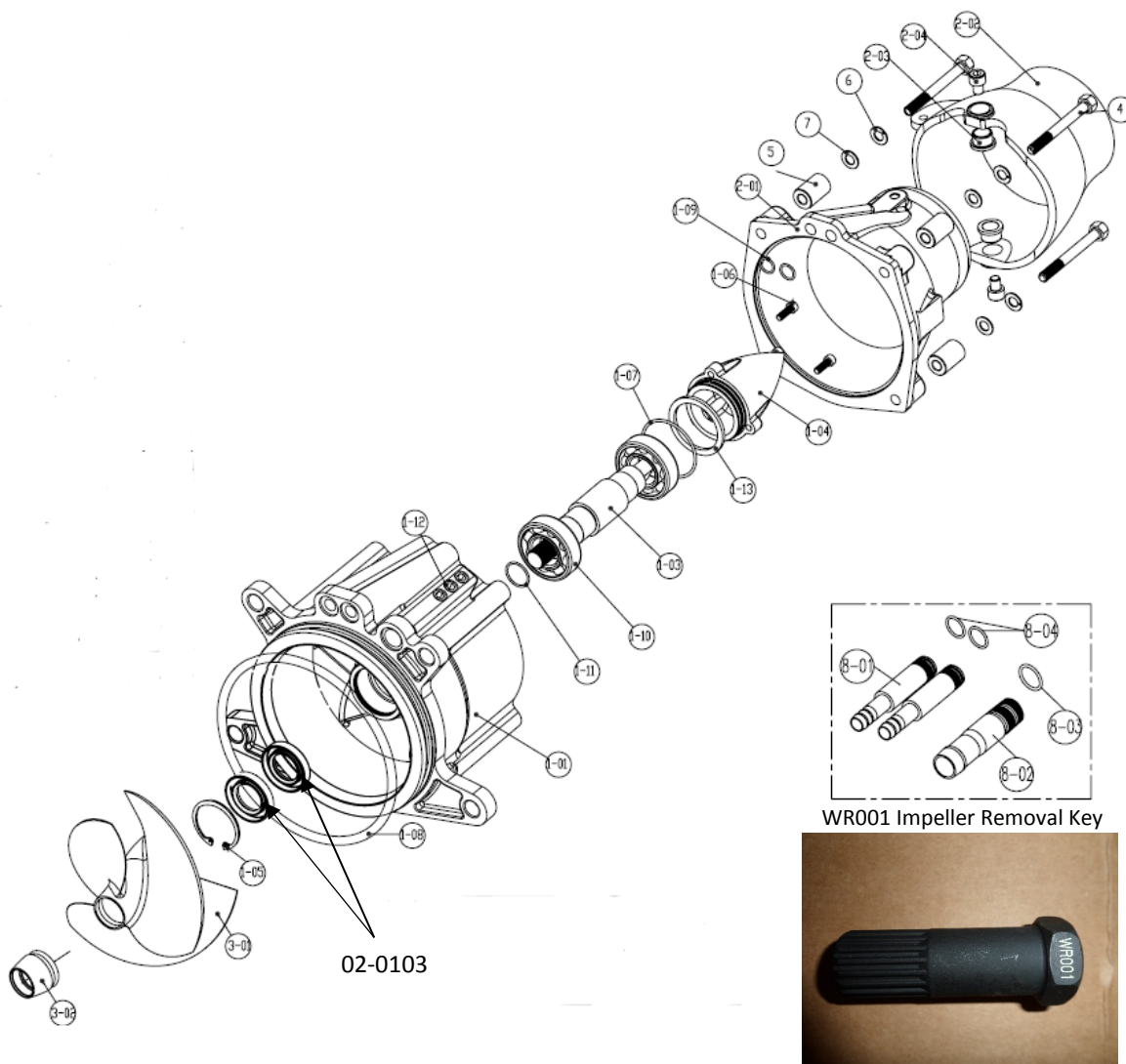
Position	Part Reference	Description
1	99-0925	Auto Fire Extinguisher ref Stat X G30T
2	07-0552	Gas Strut, 8-18-150-390-MB-MB-180N
3	07-0478 x 2	Gas Strut Bracket Attwood SL77P3-1
4	-----	Assembly - PPS Bracket (See PPS Bracket Assembly Page 10)
5	06-0007	Battery 12V 20ah Energy XR600 12v 20ah
5*	01-3041	Battery, Bracket P65 rev 2
6	07-0150	Bilge Blower Rule 140
7	03-0601	Link Hose, Exhaust rev 4
8	07-0573	Resonator ref 0460250
9	09-0008	Hatch seal ref DX79
10	05-0301	Engine Bumper Ref: 462181
10*	01-3066	Spacer, Bump Stop P65 Rev 1



Position	Part Reference	Description
1	04-0061	1/2 BSPT - 5/8" Hosetail ref 1-76012"
2	04-0062	1/2 BSPT - 3/4" Hosetail ref: 1-76013"
3	07-0456	PPS Spring E8801550
4	05-0306 x 2	M3 Rod End Long RC4WD (M3)
5	07-0467	Sintered Plain Bearings AM101516
6	01-2033	Minijet Reducer Arm rev 3
7	04-0060	Ball Valve PN50 1/2 BSP ref: 1-75210"
8	01-3060	Learner Key Cover, PPS Bracket SJ rev 2
9	06-0548	Maplin Key Switch CJ98G
10	01-3024	SJ PPS Bracket rev 3
11	08-0087	Towing Valve Position Label Rev 2
12	01-0195	Towing Valve Bracket Rev 4
13	08-0407	Minijet Power Limit Switch label.

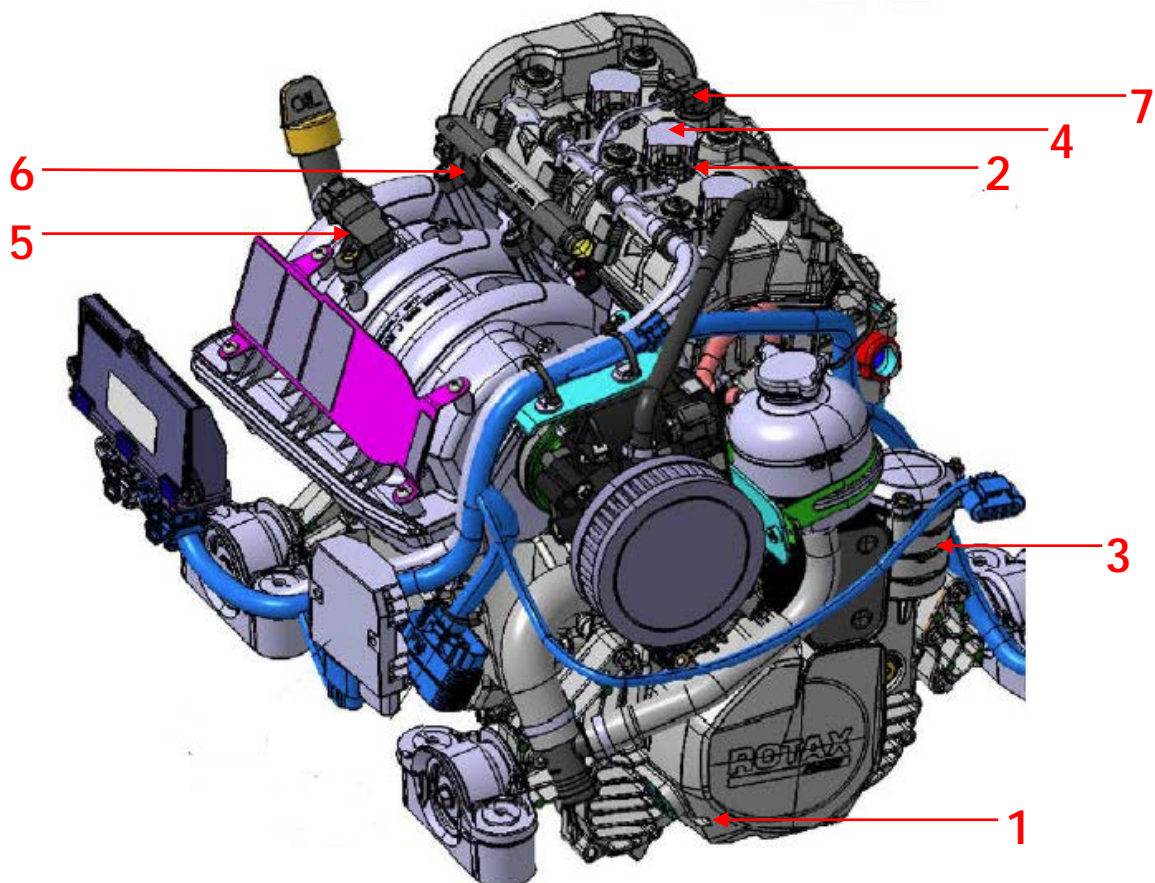
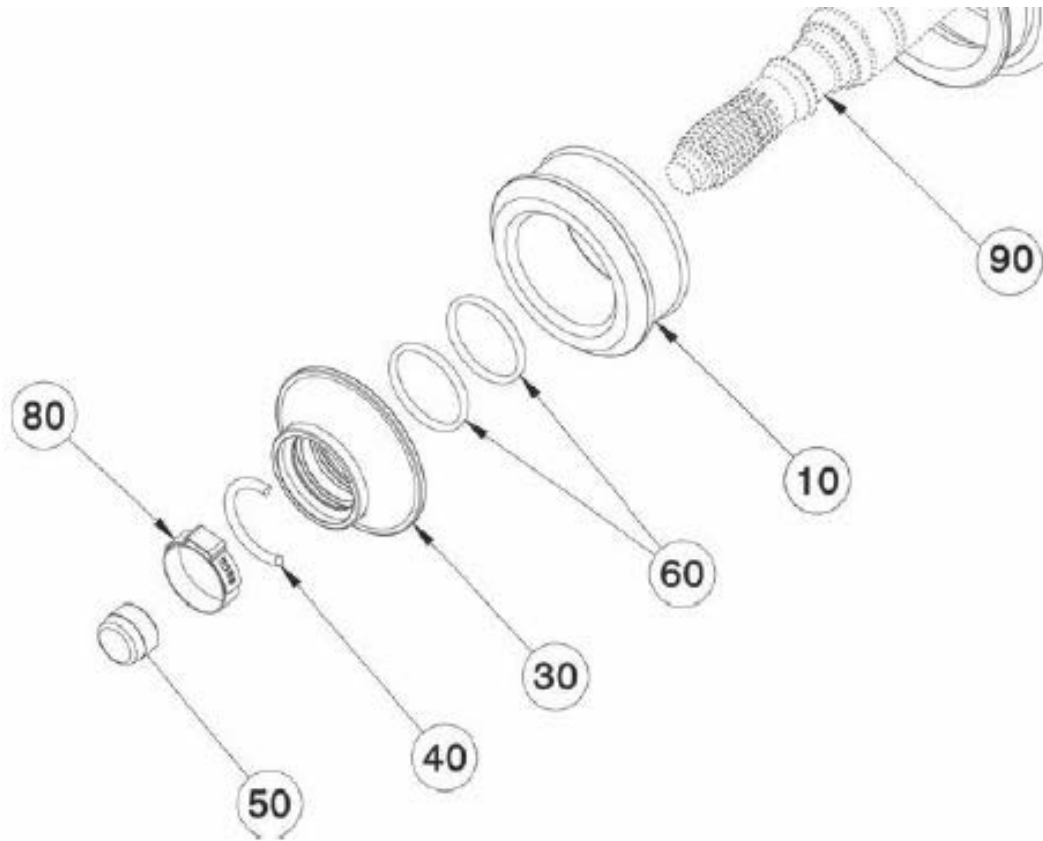


Position	Part Reference	Description
1		
2	05-0140	Female Rod End
3	07-0220	Rod End 12367-STF-5
4	07-0371-NA-2018	Pump SD-PM 140/60W inc NA Impeller 12/17S
4*	07-0065-2018	Impeller 12/17S
5	01-0035 x 4	Reverse Gate Spacer
6	20-0014 x 2	Flange Bolt, Bucket, ref 211000007
7	01-0030	Reverse Gate Support (Pair) Rev 2
8	01-0090	Reverse Gate Casting
9	20-0030	M8 x 150mm Pump Mounting Bolt
10	01-3010	Ride Plate P65 rev 2
-	07-0060	Intake Grate Casting
11	07-0430 x 2	Aluminium Anode ref 2-24411A



WR001 Impeller Removal Key

Position	Part Reference	Description
3-02	02-0241	SD140 KA Seal 84010801
1-05	02-0104	Internal retaining ring NF08-003
-	02-0103 x 2	Oil seal NF06-003
1-08	02-0105	O Ring AS-438 NF07-0011
1-11	02-0127	O Ring S20 NF07-006
1-10	02-0107 x 2	Radial Ball Bearing 6205 NF05-004
1-03	02-0728	SD140 Impeller Shaft ref 260204314004
1-13	02-0750	BRT 52x42x3 Back Up Ring ref 85990001
1-07	02-0129	O Ring S48 ref 85070017
1-04	02-0125	End Cone SD-HSV-140-07
1-09	02-0106	O Ring S12 NF07-0013
5	01-0035	Reverse Gate Spacer
2-03	02-0108	Bushing plastic trim SDNZ140-03-01
8-04	02-0108 x 2	Bushing plastic trim SDNZ140-03-01
8-01	01-1548 x 2	Siphon Tube 10mm O/D S/S 269804014002
8-03	02-0112	O Ring P17 NP07-020
WR001	99-0036	Impeller wrench key (285 325 & 385)
-	02-0103	Oil seal NF06-003



	Part Reference	Description
1	02-1057	Crank Shaft Position Sensor 0460685 or 420966570
-	02-1065	Exhaust temperature sensors ref 0460317-00
2	02-1083 x 2	Spark Plug 0461716
3	02-1080	Oil Filter 0461603
3	02-1081	O Ring (Oil Filter) 0461604
-	02-1064	Fuel Filter (Paper Membrane) ref 270600113
-	07-0501	Heat Exchanger Alfa Laval (CB10-14H) 0461530-00
-	10-0251	Triple Guard Grease ref 296000329
-	10-0274	XPS Synthetic Grease 293550010
4	02-1082 x 2	Coil Stick 0461714
-	02-1086	O2 Sensor kit 0461576
5	02-1087	Pressure Temp Sensor 0461634
6	02-1088 x 2	Injector 0461635
7	02-1089	Cam Shaft Sensor 0461712 (1503 / 903)
-	02-1108	Starter Relay ref 0460813/278003012
-	02-1040	Rotax Diagnostic Tool 529036353
-	02-1041	Rotax Diagnostic Tool 710000851
-	00-1015	PPS Assembly Kit 0460878-00
-	00-1011	Fuel Pump Nut/Fuel Line sub Assy 0460876-00
90	07-0535	Driveshaft, 345/395 ref 461565
-	00-1145	Driveshaft Bellow Assy ref 461894
10 & 30	02-1025	Floating Ring, 150hp Ref: 271001889 (0460382)
60	02-1024 x 2	O-Ring, 150hp Floating Ring Ref: 293300044 (460332)
40	02-1071	C Clip ref 271001575 (0460237)
80	02-1093	Crimp Clamp ref 0461511
50	02-1092	Plug ref 0461392 (271001965)

Auto Tube Inflation (Full & Bow) – Check original tube spec for compatibility

Position	Part reference	Description
-	01-3055	Auto Inflate Pump Bracket
-	02-0256	Leaffield inflation adaptor 20mm 1312002-Rev 1
-	03-0610	Bellow 750D ref 03.413.02
-	06-0672	Auto Inflator Switch ref VRD2AHOCAXCXX1XXXIF1
-	06-1004	Accessory Harness, SJ340
-	35-0012	Conduit 13mm GCS13/100
-	99-0355	Automatic Tube Inflator (Bravo Turbo Max Kit 6607025)

Music

Position	Part reference	Description
-	08-0326	Audio In Label (2015)
-	99-0213	AM/FM Dipole Antenna
-	99-0462	Fusion 6" Speaker MS-FR6021
-	99-0469	Fusion Bluetooth Module MS-BT200
-	99-0470	AM/FM/VHF Radio 4 x 45W MS-RA205
-	99-0900	USB Connector Cable 1m (Fusion MS-CBUSBFM1)

Weathermax Cover

Position	Part reference	Description
-	99-1014	345 Weathermax Cover
-	99-1015	395 Weathermax Cover

Fitting & Handling

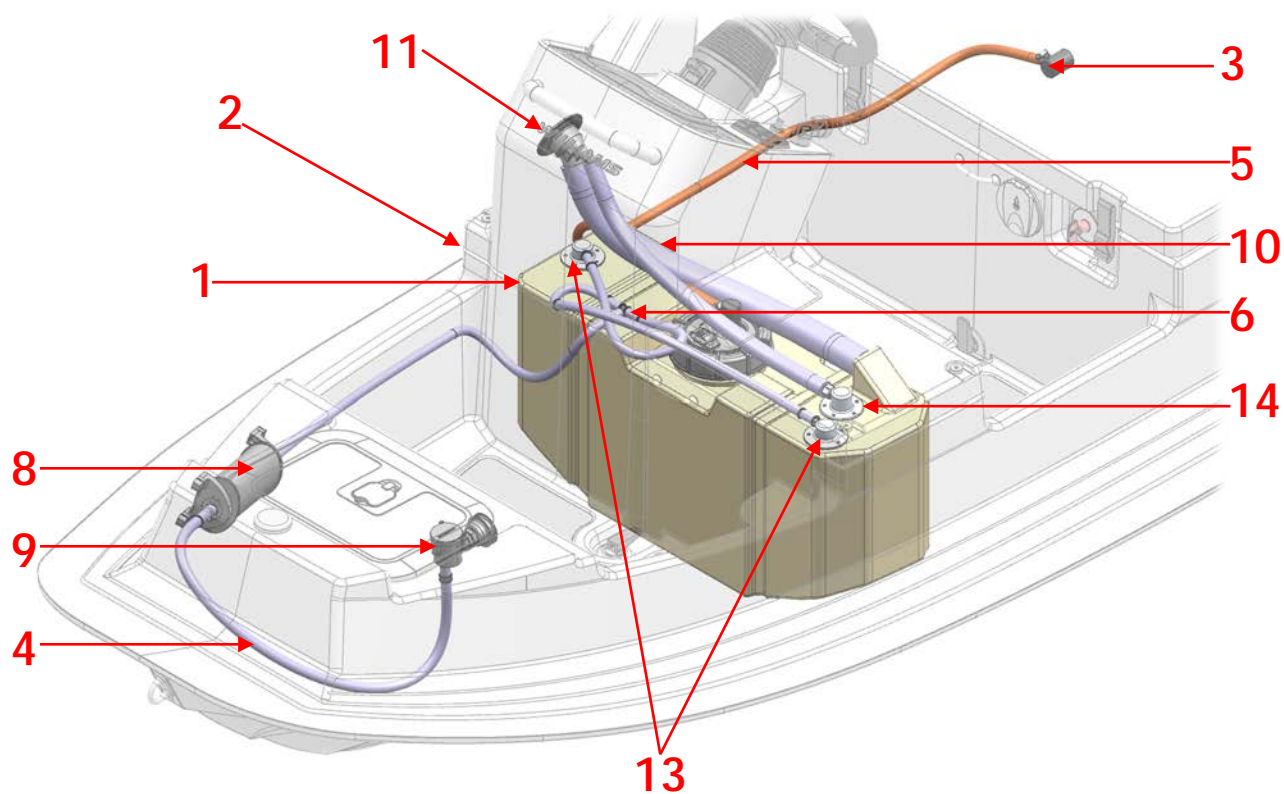
Position	Part reference	Description
-	99-0152	345 Chocks Aluminium complete with sockets
-	99-0151	395 Chocks Aluminium complete with sockets
-	99-0023	345 Tie Downs
-	99-0105	395 Tie Downs
-	99-0930	345 Lifting Strops
-	99-0934	395 Lifting Strops
-	99-0061	345/395 Over Straps

Towing Kit

Position	Part reference	Description
-	05-0195 x 2	Pad Eye (small) ref 2054744
-	07-0049 x 2	Laser Plate 50 x 50 x 2mm ref X05736
-	99-0480	Towing Straps

Accessories

Position	Part reference	Description
-	99-0024	High Speed Auto Electric inflator Bravo BST800 ref 6130132
-	99-0037	Accumate 6/12V with mounting bracket. (ACC EU)
-	99-0038	Accumate 6/12V ACCUSA 110V
-	99-0201	Anchor S/S Claw 1kg complete with chain & rope ref Q133999
-	99-0006	Paddle ref 6293103 TSP50/120 Black



Position	Part reference	Description
1	01-3017-EPA	Fuel Tank EPA (USA)
2	01-3151	Inspection Hatch Plate, (USA)
3	01-3153 x 2	Quick Connect Cover Shield SJ (USA Fuel line)
4	03-0280	Silicone Hose VENA HTD D16
5	03-0615	USA Fuel Hose Assy 62" (SJ)
6	04-0222	5/16" ID Equal Tee plastic PN23-8
-	05-0049	Big Head 316-F2/S23-M6 x 5mm
8	07-0395	Canister 0.5L with Heat Shield PK0485H05035
9	07-0399	P-Trap Straight White PK0630004WHT
10	07-0448	ICV In Fill Pipe Perko 0635000
11	07-0546	Fuel Filler 45 degree GAS Perko EPA ref 0662G00BLK
-	08-0301	EPA Compliant Label
-	08-0348	NMMA US Coast Guard Label 395SJ
-	09-0056	CO Warning Label Helm ref ESP930213
-	09-0057	CO Warning Label Transom
-	08-0355	USCG Fuel System Label (SJ)
-	08-0356	USCG Servicing of Engine Label (SJ)
13 & 14*	03-0281	Seal
13	07-0397	Valve TVV.SM Flanged PK0588F00
14	07-0516	Valve-FLV-Flanged-Fill-Limit PK0586F00118