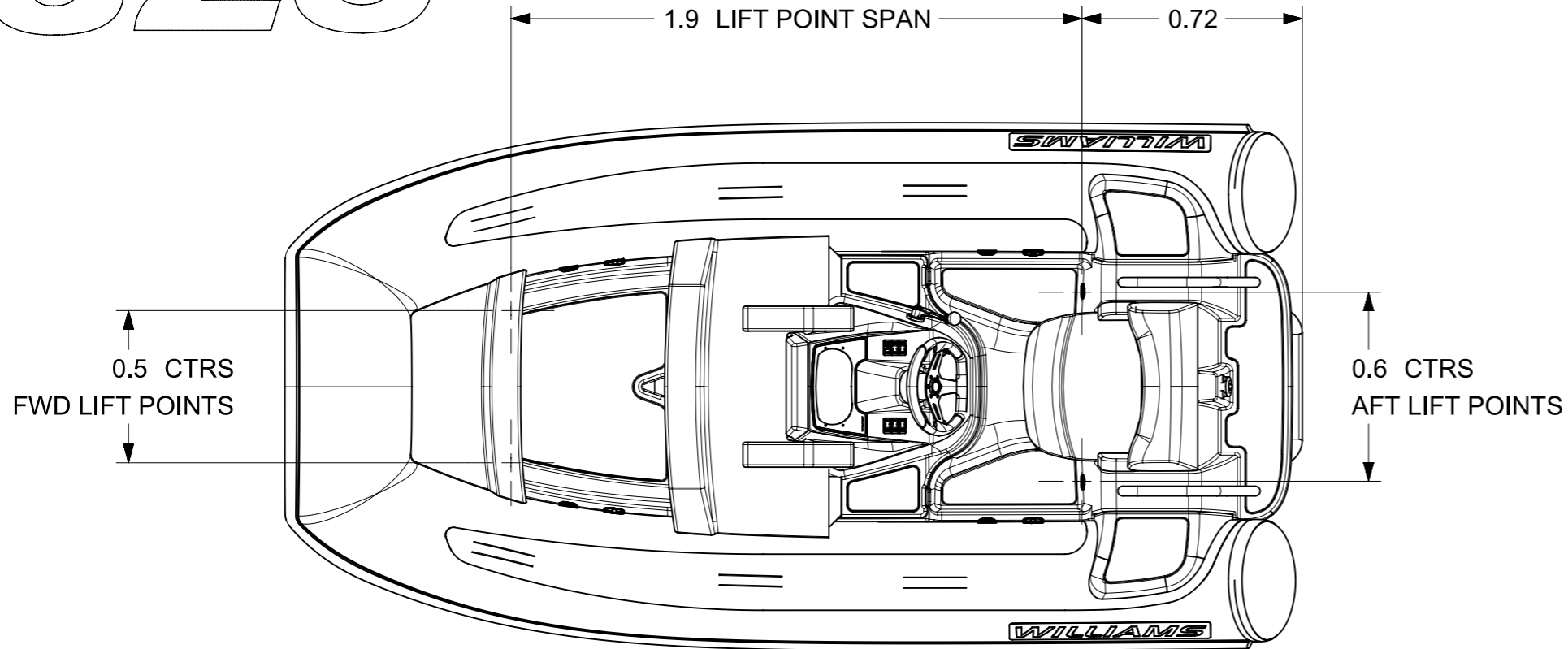
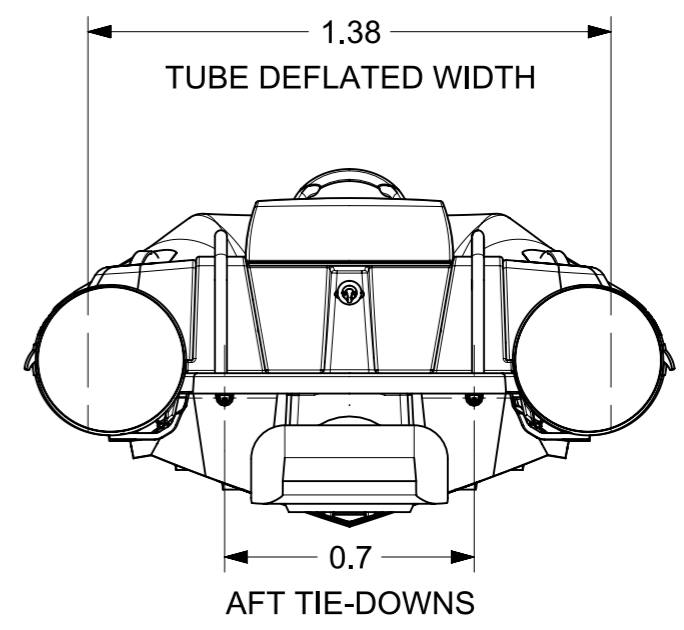
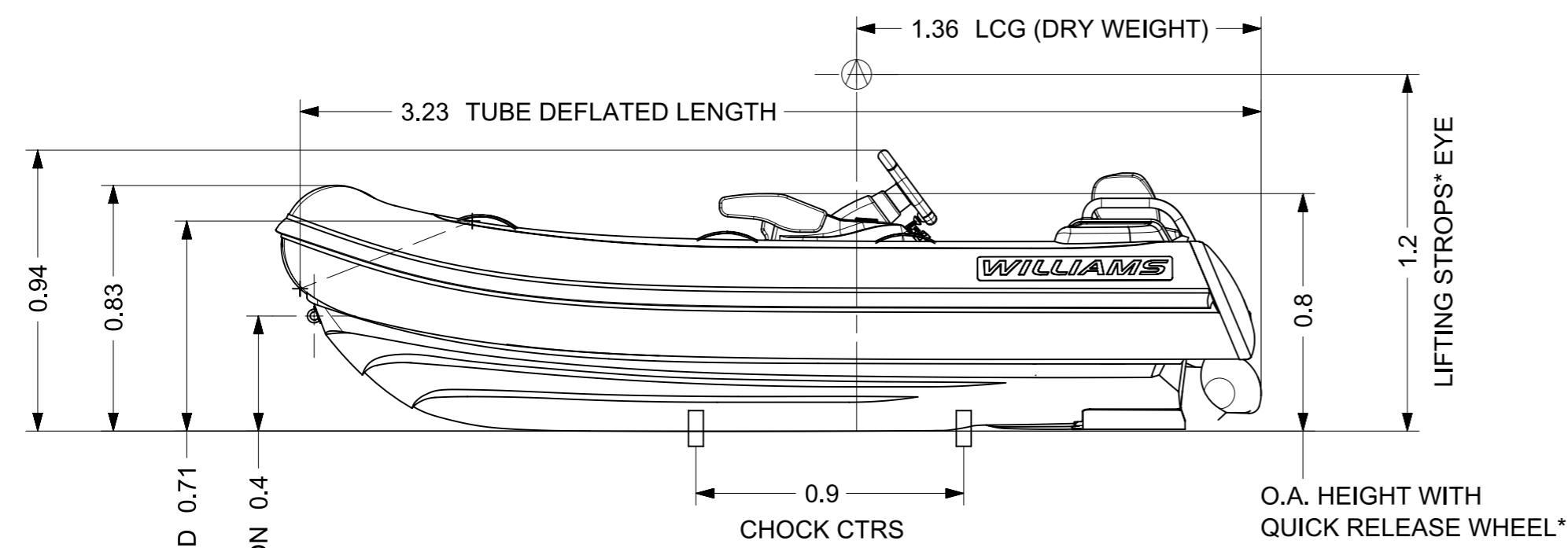


TURBOJET 325



LENGTH O.A.	3.29m (±1.%)
BEAM O.A.	1.70m (±1.5%)
DRAFT (FULLY LOADED)	0.23m / 0.35m
ENGINE	ROTAX 900 ACE
POWER	90hp ≅ 67kW
DRY WEIGHT	319Kg
SEATING CAPACITY	4
FUEL	PETROL
FUEL CAPACITY	40L
MAX. SPEED	48mph ≅ 77kph
No. TUBE COMPARTMENTS	4
CE DESIGN CATEGORY	C

- NOTES:
1. LENGTH/ BEAM TOLERANCE DUE TO VARIATION IN TUBE AIR PRESSURE.
 2. AVERAGE DRY WEIGHT STATED; ACTUAL WEIGHT DEPENDANT ON OPTIONS FITTED.
 3. STANDARD CHOCKS*: 99-0152
CHOCK PROFILES DRAWING: RD1014



REV.	DATE	DETAILS	GT DRAWN	DBS APPV'D
1	17/08/18	PRODUCTION RELEASE	GT	DBS

GENERAL TOL.
0 ±0.50
0.0 ±0.25
0.00 ±0.10
0' ±0.50"

NOT FOR PUBLICATION - THIS DRAWING IS THE PROPERTY OF WILLIAMS PERFORMANCE TENDERS LTD. AND IS ISSUED ON CONDITION THAT IT IS NOT COPIED, RE-PRINTED OR DISCLOSED EITHER WHOLLY OR IN PART TO ANY THIRD PARTY NOT AUTHORISED TO RECIEVE IT

NAME	DATE	WILLIAMS
DRAWN GT	17/08/18	
APPV'D DBS	17/08/18	
PROJECT: -		
INSPECTION LEVEL: -		TITLE
MATERIAL & FINISH		TURBOJET 325 (2019MY)
		PART NO.
		WPT-000325TJ2019MY-DATASHEET-dwg.1
		SCALE 1:20
		SHEET 1 OF 1