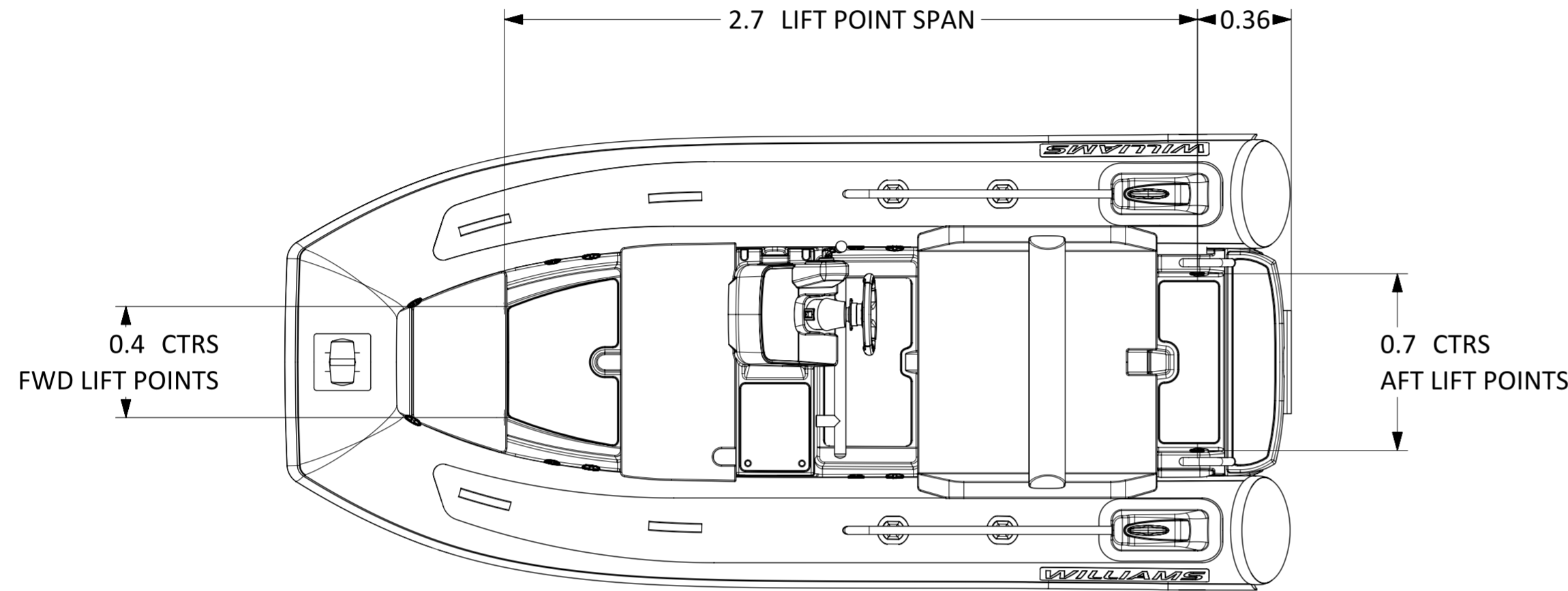


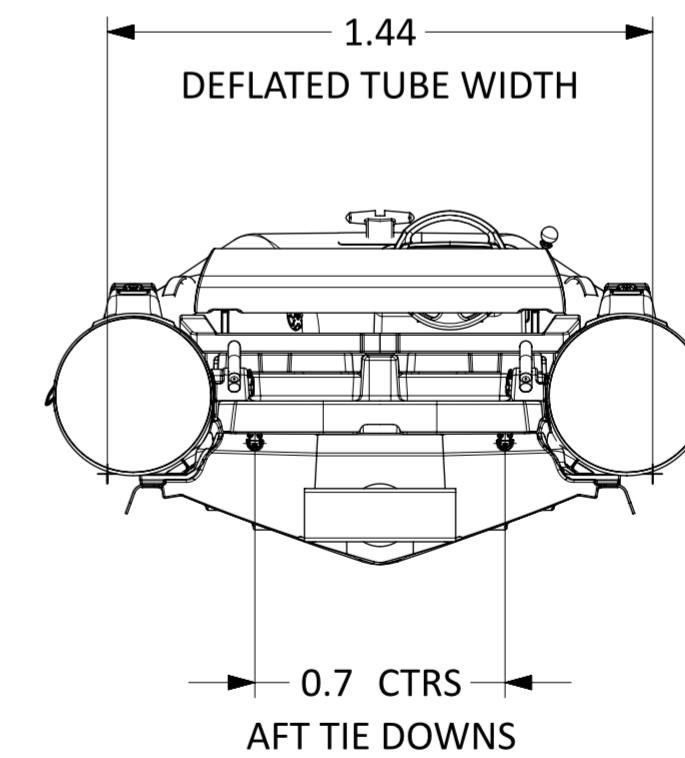
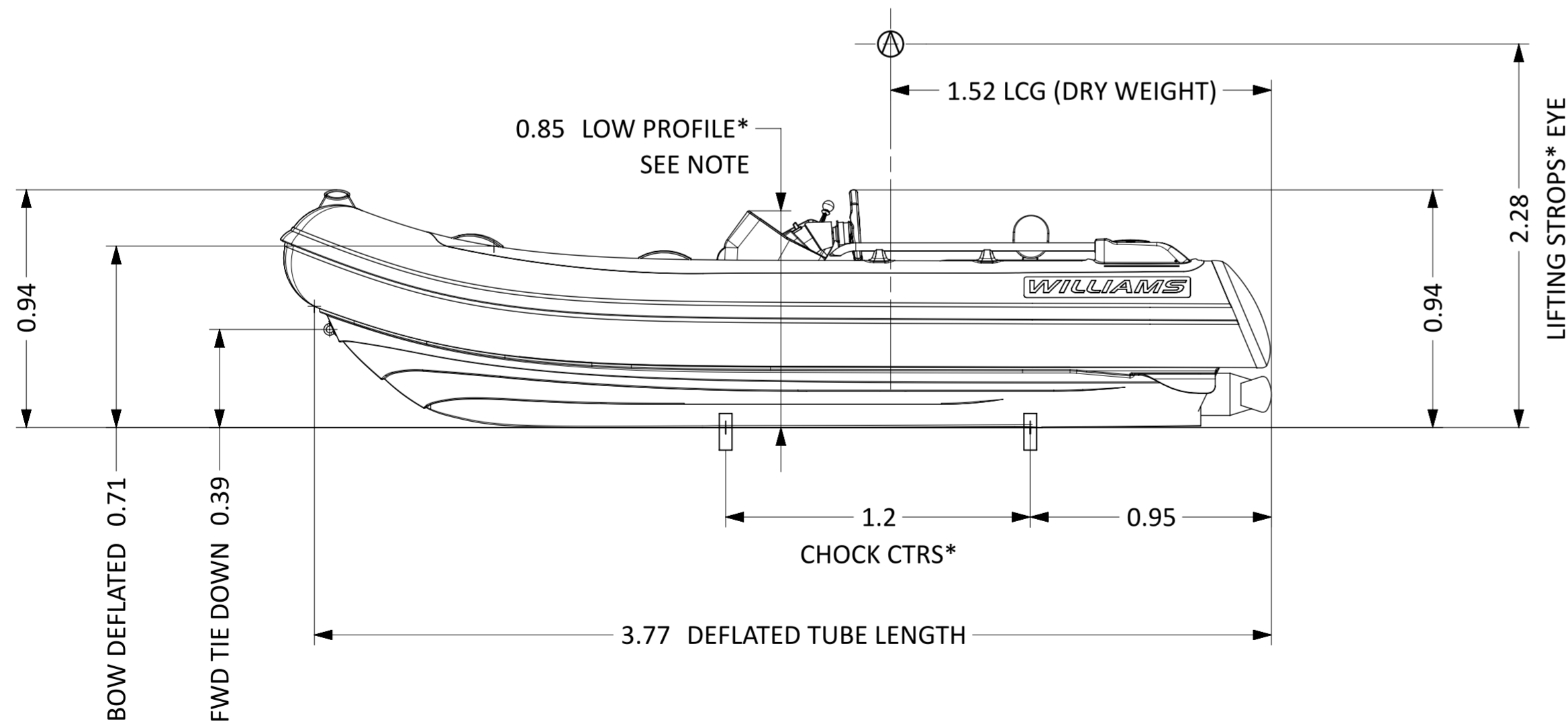
SPORTJET 395

LENGTH O.A.	3.90m (±1%)
BEAM O.A.	1.77m (±1.5%)
DRAFT (FULLY LOADED)	0.33m
ENGINE	ROTAX 900 ACE
POWER	90hp ≈ 67kW
DRY WEIGHT	370Kg
SEATING CAPACITY	6
FUEL	PETROL
FUEL CAPACITY	50L
MAX. SPEED	46mph ≈ 74kph
No. TUBE COMPARTMENTS	5
CE DESIGN CATEGORY	C



NOTES:

1. LENGTH / BEAM TOLERANCE DUE TO VARIATION IN TUBE PRESSURE.
2. AVERAGE DRY WEIGHT STATED; ACTUAL WEIGHT DEPENDENT ON OPTIONS FITTED.
3. LOW PROFILE SPEC:
-DEFLATE TUBES.
-REMOVE STEERING WHEEL (QUICK RELEASE OPTION REQUIRED).
4. STANDARD CHOCK*: WPT-99-0151
CHOCK PROFILES DRAWING: RD1015



*OPTIONAL ACCESSORY

REV.	DATE	DETAILS	GT	DBS
1	20/08/18	PRODUCTION RELEASE	GT	DBS
			DRAWN	APPVD

GENERAL TOL.	0 ±0.50
	0.0 ±0.25
	0.00 ±0.10
	0 ±0.50

DRAWN	GT	20/08/19
APPVD	DBS	20/08/19
PROJECT:	-	
INSPECTION LEVEL:	-	
MATERIAL & FINISH	-	
REMOVE ALL BURRS & BREAK SHARP EDGES	-	
GENERAL SURFACE FINISH Ra 1.6UM	-	
DIMENSIONS IN MM UNLESS STATED	-	
DO NOT SCALE DRAWING	-	

WILLIAMS	
TITLE	
SPORTJET 395 (2019MY)	
PART NO.	A2
WPT-000395SJ-2019MY-DATASHEET -dwg.1	
SCALE 1:20	SHEET 1 OF 1