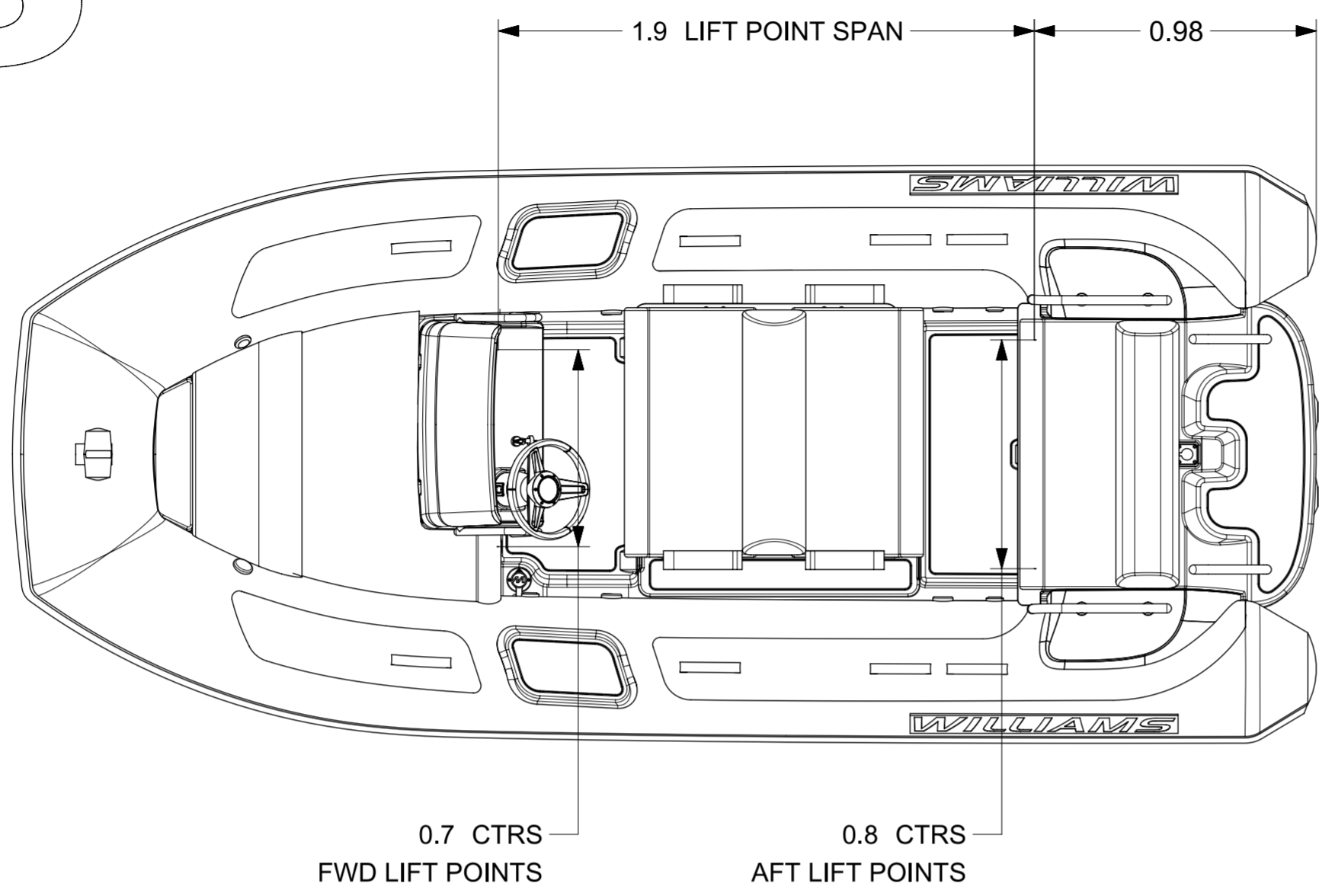


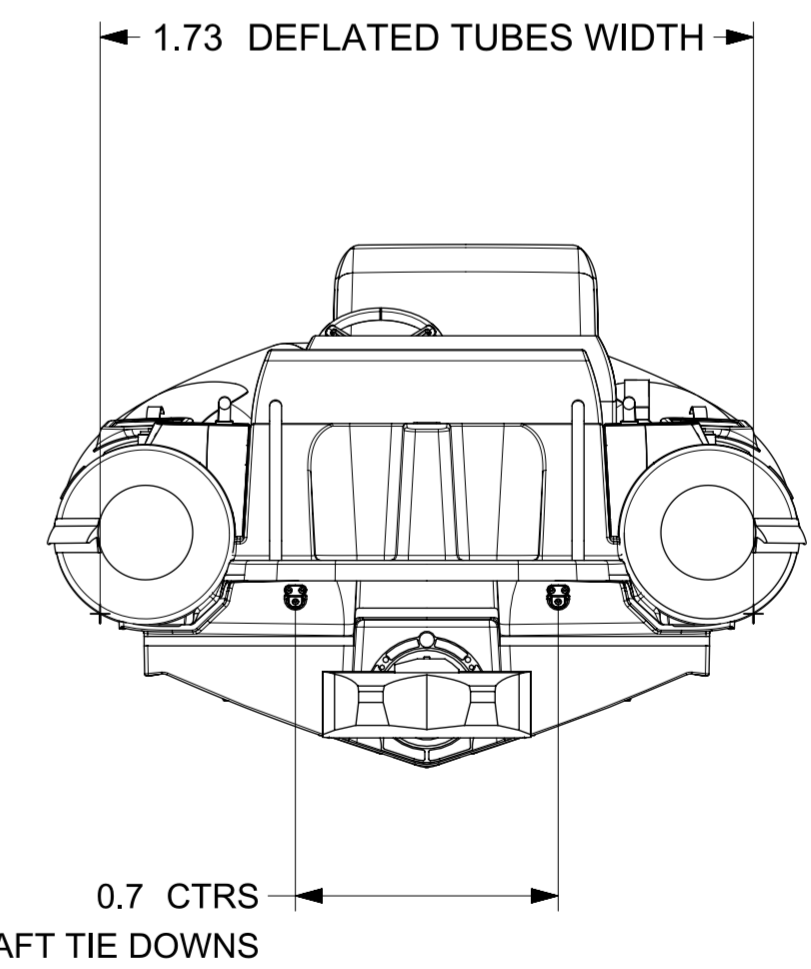
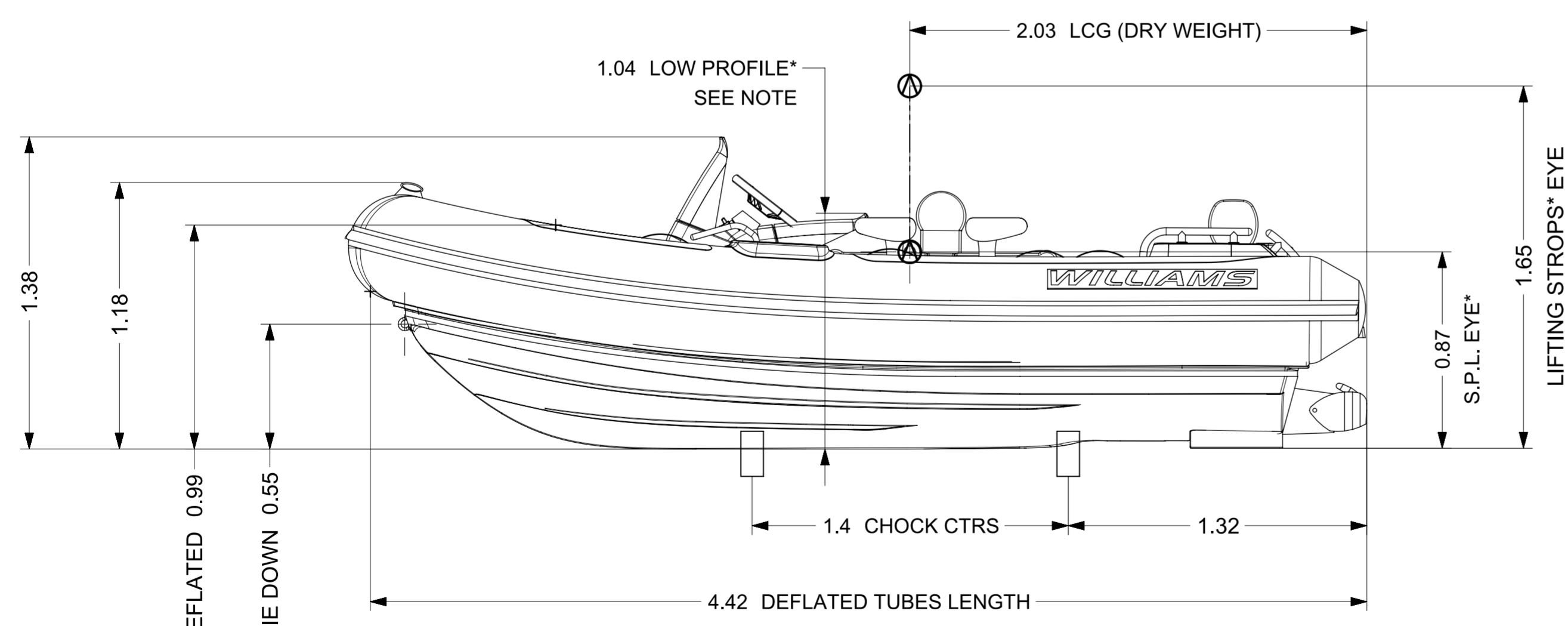
DIESELJET 445

LENGTH	4.5m (±1%)
BEAM	2.01m (±1%)
DRAFT (FULLY LOADED)	0.42m
ENGINE	YANMAR 4JH-110
POWER	110hp ≈ 81kW
DRY WEIGHT	840Kg
SEATING CAPACITY	7
FUEL	DIESEL
FUEL CAPACITY	68L
MAX. SPEED	40mph ≈ 64kph
No. TUBE COMPARTMENTS	5
CE DESIGN CATEGORY	C



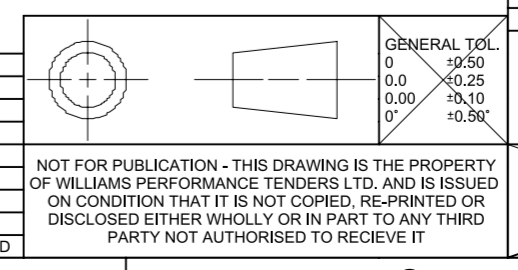
NOTES:

1. LENGTH / BEAM TOLERANCE DUE TO VARIATION IN TUBE AIR PRESSURE.
2. AVERAGE DRY WEIGHT STATED; ACTUAL WEIGHT DEPENDENT ON OPTIONS FITTED.
3. LOW PROFILE OPTION:
 - HELM FOLDED DOWN.
 - REMOVABLE BACKRESTS.
 - QUICK RELEASE STEERING WHEEL.
 - FWD TUBE DEFLATED.
4. REFER TO DRAWING WPT-RD150 FOR CHOCK PROFILES.



*OPTIONAL ACCESSORY

REV.	DATE	DETAILS	GT	DBS
1	29/08/18	PRODUCTION RELEASE	GT	DBS



DRAWN	GT	DATE	29/08/18
APPVD	DBS	DATE	29/08/18
PROJECT:	-		
INSPECTION LEVEL:	-		
MATERIAL & FINISH	-		
GENERAL SURFACE FINISH	Ra 1.6UM		
DIMENSIONS IN MM UNLESS STATED			
DO NOT SCALE DRAWING			

WILLIAMS

DIESEL JET 445 (2019MY)

PART NO. WPT-000445DJ-2019MY-DATASHEET -dwg.1 A2

SCALE 1:20 SHEET 1 OF 1