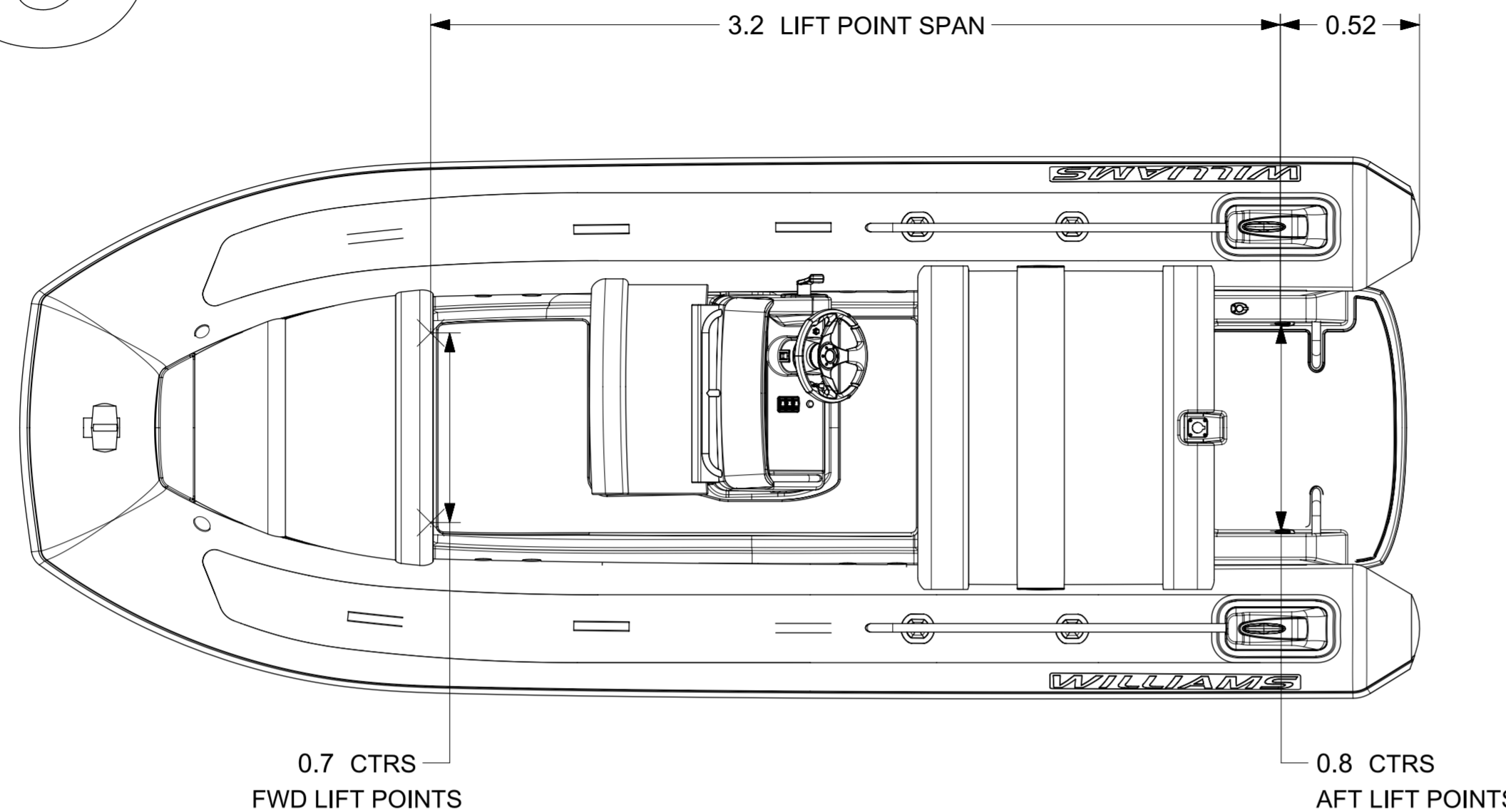


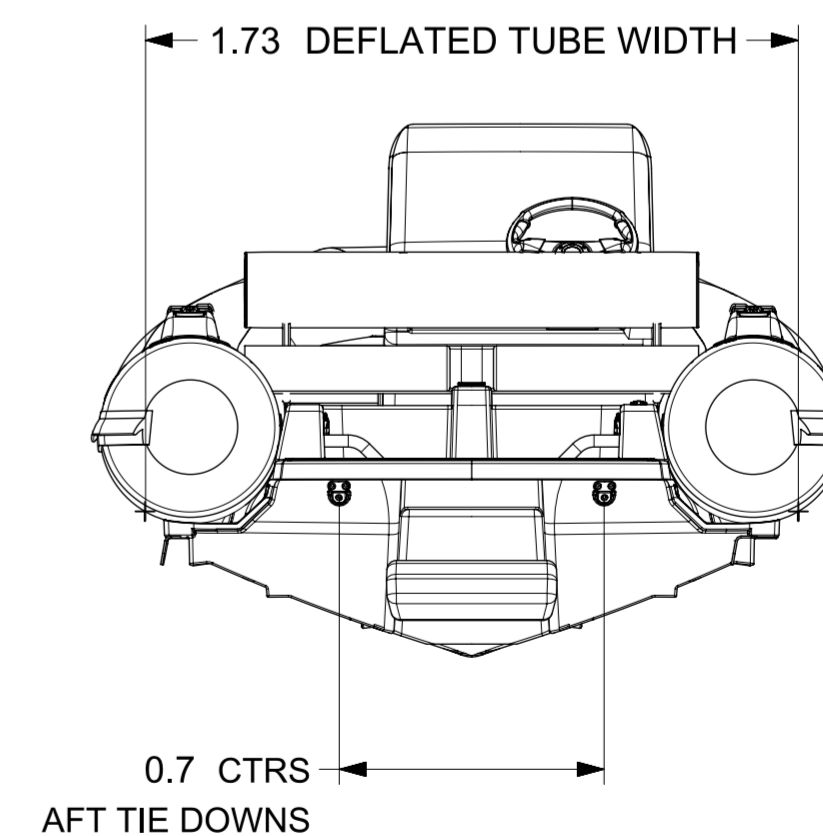
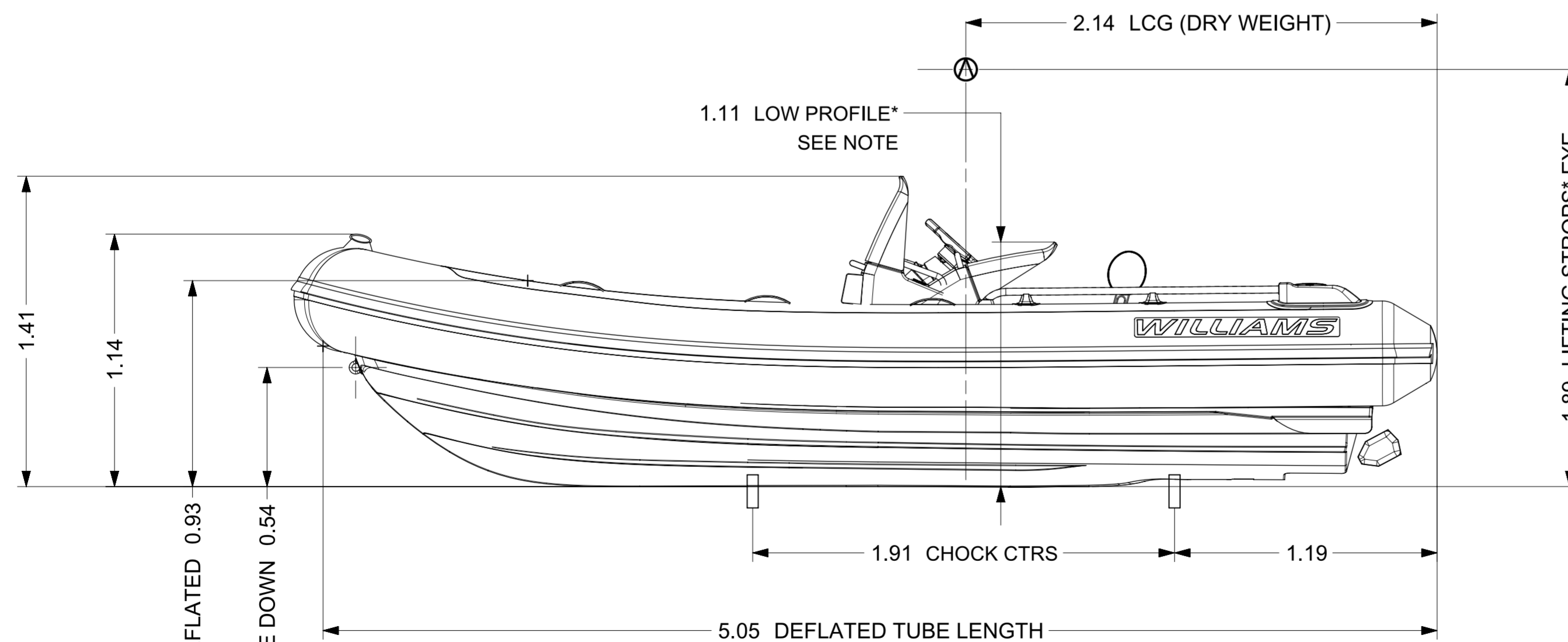
SPORTJET 520

LOA	5.19m ±1%
BEAM OA	2.01m ±1%
DRAFT (FULLY LOADED)	0.42m
ENGINE	Rotax 4-TEC 200
POWER	200hp ≈ 149kW
DRY WEIGHT	595kg
SEATING CAPACITY	7
FUEL	PETROL
FUEL CAPACITY	100L
MAX. SPEED	52mph ≈ 84kph
No. TUBE COMPARTMENTS	5
CE DESIGN CATEGORY	C



NOTES:

1. LENGTH / BEAM TOLERANCE DUE TO VARIATION IN TUBE PRESSURE.
2. AVERAGE DRY WEIGHT STATED;
ACTUAL WEIGHT DEPENDENT ON OPTIONS FITTED.
3. LOW PROFILE:
 - DEFLATE TUBES.
 - QUICK RELEASE STEERING WHEEL.
 - FULLY FOLD DOWN HELM.
4. STANDARD CHOCKS*: 99-1460
CHOCK PROFILES DRAWING: RD472.



*OPTIONAL ACCESSORY

REV.	DATE	DETAILS	GT	DBS
1	22/08/18	PRODUCTION RELEASE	GT	DBS

GENERAL TOL.	0	+0.50
	0.0	-0.25
	0.00	-0.10
	0	+0.50

DRAWN	GT	22/08/18
APPVD	DBS	22/08/18
PROJECT:	-	
INSPECTION LEVEL:	-	
MATERIAL & FINISH	-	
REMOVE ALL BURRS & BREAK SHARP EDGES	-	
GENERAL SURFACE FINISH Ra 1.6UM	-	
DIMENSIONS IN MM UNLESS STATED	-	
DO NOT SCALE DRAWING	-	

WILLIAMS	
SPORTJET 520 (2019MY)	
PART NO.	WPT-000520SJ-2019MY-DATASHEET -dwg.1
SCALE 1:20	SHEET 1 OF 1

A2